

# KIEV

- Ref. 20822
- Ref. 20821
- Ref. 20823



**A+** EEI = 125

Performance: 92 %

Autonomy: 28h - 13h



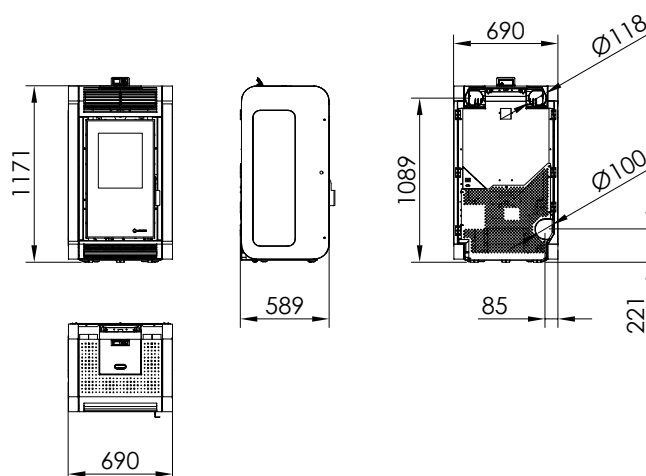
POWER	HOPPER	CONSUM. Min.	CONSUM. Max.	GAS OUT DIAMETER	WEIGHT
16 kW	45 kg	1,6 kg/h	3,6 kg/h	100 mm	170 kg

## Including

Pellets / Ductable Air / Stove

- Automatic modulation of combustion air, supply of pellets and convection air.
- Ecoforest exclusive electronics.
- Wifi and internet-based control.
- Control and programming by power or temperature with power modulation by room probe or optional thermostat (see p.74).
- Multifuel (pellets, almond shell, olive stone).
- Vacuum cleaning system.
- Multiple security systems.
- Stainless steel burning pot
- Daily cleaning-free aluminium finned heat exchanger.
- Hearth with vermiculite.
- Two ducted air outlets, max. length 7 metres (diameter: 120 mm).
- Direct front air outlet, rear ductable or inter-

- mediate for each outlet.
- Wheels for maintenance.
- ecoSILENCE mode.



Manufacturer reserves the right to change any equipment characteristic, design or colour without previous notice. Dimensions: W x D x H.