

# MONACO

Ref. 20873



**A+** EEI = 127



Performance : 94,4%

Autonomy: 17h - 7h



**POWER**

7,5 kW

**HOPPER**

11 kg

**CONSUM.**

Min.  
0,7 kg/h

**CONSUM.**

Max.  
1,6 kg/h

**GAS OUT DIAMETER**

80 mm

**WEIGHT**

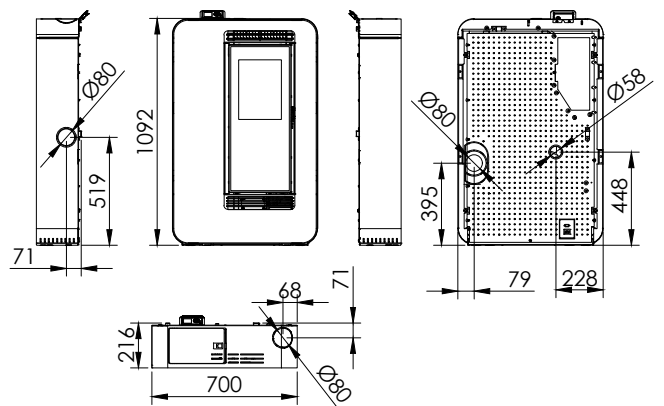
97 kg

## Including

Pellets / Air / Stove

- Airtight (Passive house).
- Automatic modulation of combustion air, supply of pellets and convection air.
- Ecoforest exclusive electronics.
- Wifi and internet-based control.
- Control and programming by power or temperature with power modulation by room probe or optional thermostat (see p.74).
- Vacuum cleaning system.
- Multiple security systems.
- Stainless steel burning pot.
- Daily cleaning-free finned heat exchanger.
- Hearth with cast iron.
- Air intake diameter: 60 mm.
- Top, rear or right side smoke outlet possibility (internal flue pipes not included).

- Decorative front in black tempered glass.
- Fireplace door with mirror effect.
- ecoSILENCE mode



Manufacturer reserves the right to change any equipment characteristic, design or colour without previous notice. Dimensions: W x D x H.