

# Ecoforest tanks

Buffer and DHW tanks





# Ecoforest tanks

Designed specifically for Ecoforest heat pumps

Ecoforest offers a wide range of tanks specially designed for use in combination with ecoGEO+ and ecoAIR+ heat pumps.



These high-performance tanks are highly insulated to minimize thermal losses and a present specific design that allows high heat exchange performance to be obtained, which makes them the perfect complement to any heat pump installation.

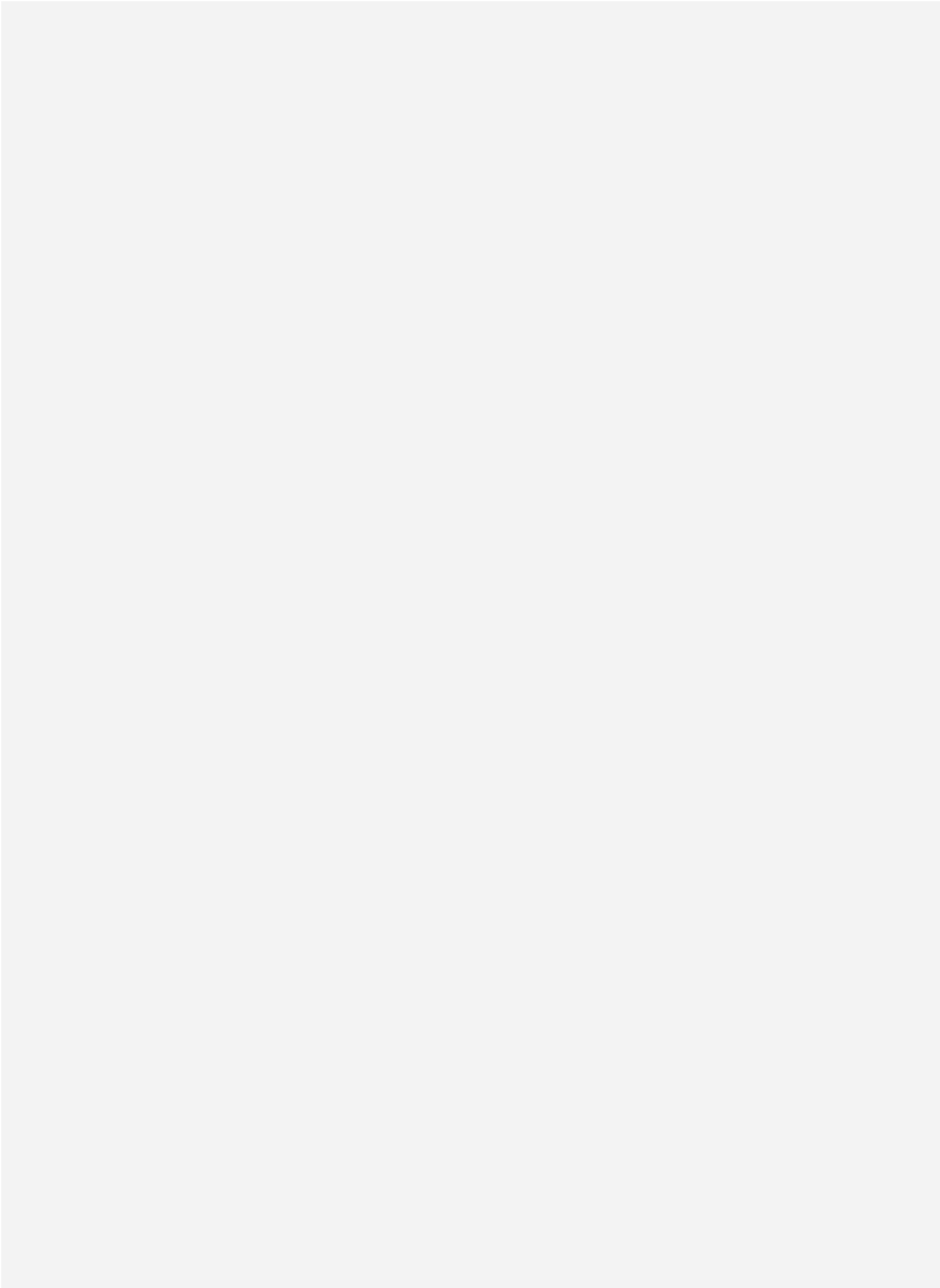
For the different applications and services that may be required in the installations with their heat pumps, Ecoforest has four ranges of tanks:

- T-B: carbon steel buffer tanks for heating and / or cooling applications.
- T-B INOX: stainless steel buffer tanks for heating and / or cooling applications.
- T-DW: AISI 316 stainless steel single coil DHW tanks, specifically designed to be used with Ecoforest heat pumps.
- T-DS: AISI 316 stainless steel double coil DHW tanks, specifically designed to be used with Ecoforest heat pumps and a second DHW production system (solar, boiler,...).

# INDEX

<b>T-B - Carbon steel buffer tanks.....</b>	<b>7</b>
T-B 80 .....	8
T-B 100 .....	9
T-B 200 .....	10
T-B 300 .....	11
T-B 500 .....	12
T-B 750 .....	13
T-B 1000 .....	14
T-B 1500 .....	15
T-B 2000 .....	16
<b>T-B INOX - Stainless steel buffer tanks.....</b>	<b>19</b>
T-B INOX 80 .....	20
T-B INOX 100 .....	21
T-B INOX 200 .....	22
T-B INOX 300 .....	23
T-B INOX 500 .....	24
T-B INOX 750 .....	25
T-B INOX 1000 .....	26
T-B INOX 1500 .....	27
T-B INOX 2000 .....	28
<b>T-DW - Simple coil DHW tanks .....</b>	<b>31</b>
T-DW 200 .....	32
T-DW 200C .....	33
T-DW 300 .....	34
T-DW 300-A .....	35
T-DW 300C .....	36
T-DW 400 .....	37
T-DW 500 .....	38
T-DW 750 .....	39
T-DW 1000 .....	40
T-DW 2000 .....	41

<b>T-DS - Double coil DHW tanks .....</b>	<b>43</b>
T-DS 200 .....	44
T-DS 300 .....	45
T-DS 500 .....	46
T-DS 750 .....	47
T-DS 1000 .....	48
T-DS 2000 .....	49

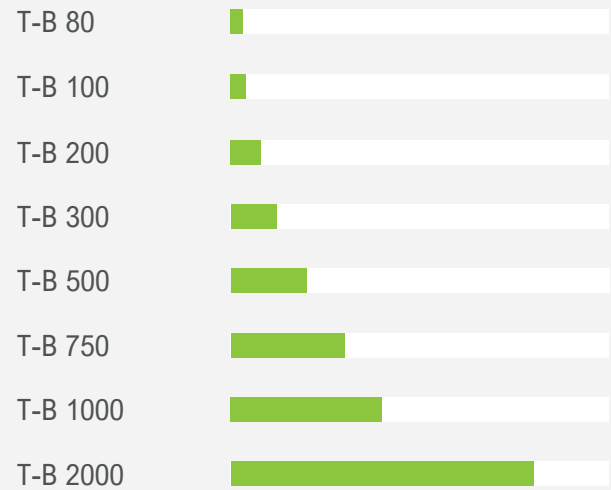


# T-B

## Buffer tanks



### Available volumes



### Services

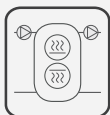


Heating



Cooling

### Application



Inline buffer

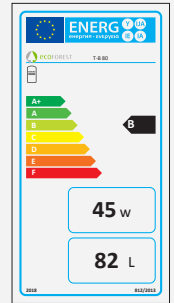


Buffer

# T-B 80

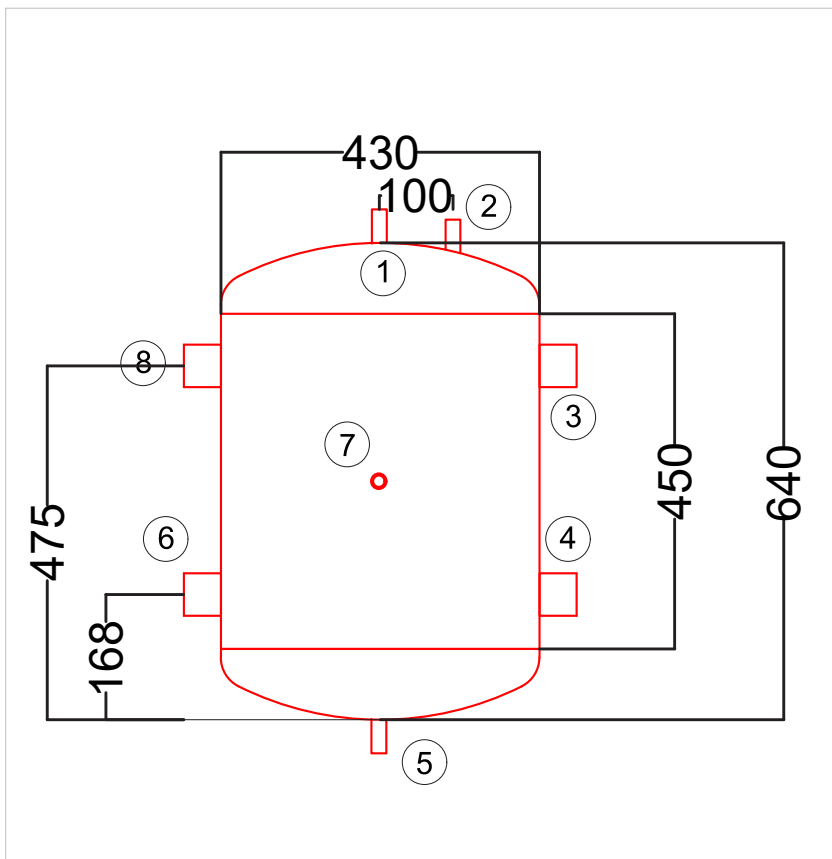
Ref.:  
**853**

- Buffer tank specifically designed to be used with Ecoforest heat pumps.
- Carbon steel made.
- Thermal insulation with rigid foam of injected HCFC free polyurethane and exterior finish with semi-rigid PVC
- Compatible with heating and cooling applications in inline buffer or buffer layout.
- Including a temperature probe inlet (heating and cooling).



SPECIFICATIONS T-B 80		UNITS	T-B 80
APPLICATION	Place of installation	-	Indoor
	Mounting	-	Wall
	Heating	-	✓
	Cooling	-	✓
FEATURES	Volume	l	80
	Tank material	-	Carbon steel
	Insulation material	-	Rigid foam of injected HCFC free polyurethane
	Insulation thickness	mm	45
	Exterior finish	-	Semi-rigid PVC
	Maximum working pressure	bar	6,0
	Energy label	-	B
DIMENSIONS/WEIGHT	External diameter	mm	520
	Total height	mm	730
	Empty weight	kg	31

## Dimensions and hydraulic connections



1. Purge - 1/2 " H
2. Safety valve- 1/2 " H
3. Heating circuit outlet - 1 1/2 " H
4. Heating circuit inlet - 1 1/2 " H
5. Drain - 1/2 " H
6. Outlet towards heat pump- 1 1/2 " H
7. Inlet for temperature probe / thermometer - 1/2 "
8. Inlet from heat pump - 1 1/2 " H

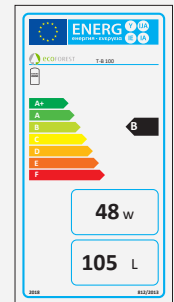
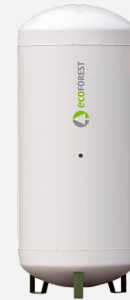
Note: nomenclature in heating application.



# T-B 100

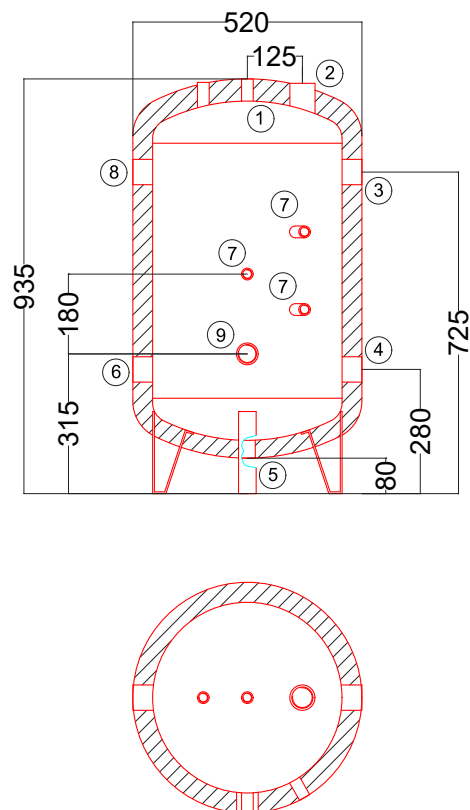
Ref.:  
**859**

- Buffer tank specifically designed to be used with Ecoforest heat pumps.
- Carbon steel made.
- Thermal insulation with rigid foam of injected HCFC free polyurethane and exterior finish with semi-rigid PVC
- Compatible with heating and cooling applications in inline buffer or buffer layout.
- Including two temperature probes inlets (heating and cooling) and an electrical heater inlet.



SPECIFICATIONS T-B 100		UNITS	T-B 100
APPLICATION	Place of installation	-	Indoor
	Mounting	-	On floor
	Heating	-	✓
	Cooling	-	✓
FEATURES	Volume	l	100
	Tank material	-	Carbon steel
	Insulation material	-	Rigid foam of injected HCFC free polyurethane
	Insulation thickness	mm	45
	Exterior finish	-	Semi-rigid PVC
	Maximun working pressure	bar	6,0
	Energy label	-	B
DIMENSIONS/WEIGHT	External diameter	mm	520
	Total height	mm	935
	Empty weight	kg	45

## Dimensions and hydraulic connections



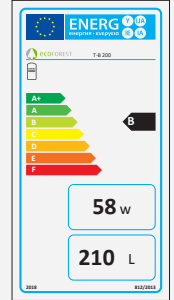
1. Purge - 1/2 " H
2. Safety valve - 1/2 " H
3. Heating circuit outlet - 1 1/2 " H
4. Heating circuit inlet - 1 1/2 " H
5. Drain - 3/4 " H
6. Outlet towards heat pump - 1 1/2 " H
7. Inlets for temperature probes and thermometer - 1/2 "
8. Inlet from heat pump - 1 1/2 " H
9. Inlet for electrical heater - 1 1/4 "

Note: nomenclature in heating application.

# T-B 200

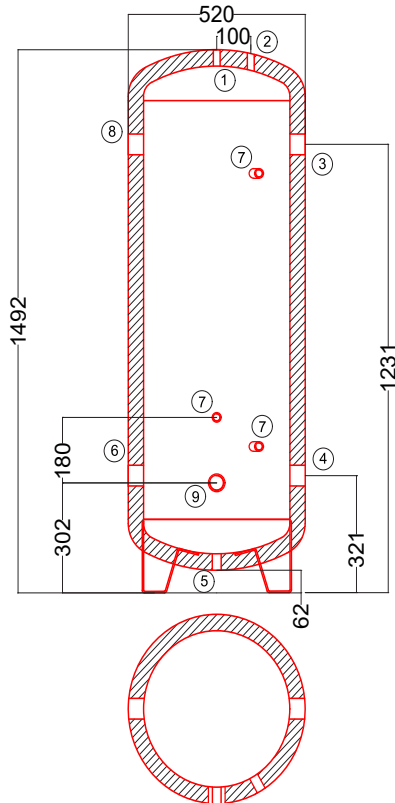
Ref.:  
**857**

- Buffer tank specifically designed to be used with Ecoforest heat pumps.
- Carbon steel made.
- Thermal insulation with rigid foam of injected HCFC free polyurethane and exterior finish with semi-rigid PVC
- Compatible with heating and cooling applications in inline buffer or buffer layout.
- Including two temperature probes inlets (heating and cooling) and an electrical heater inlet.



SPECIFICATIONS T-B 200		UNITS	T-B 200
APPLICATION	Place of installation	-	Indoor
	Mounting	-	On floor
	Heating	-	✓
	Cooling	-	✓
FEATURES	Volume	l	200
	Tank material	-	Carbon steel
	Insulation material	-	Rigid foam of injected HCFC free polyurethane
	Insulation thickness	mm	45
	Exterior finish	-	Semi-rigid PVC
	Maximum working pressure	bar	6,0
	Energy label	-	B
DIMENSIONS/WEIGHT	External diameter	mm	520
	Total height	mm	1.492
	Empty weight	kg	69

## Dimensions and hydraulic connections



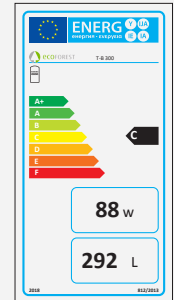
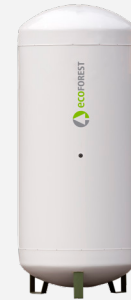
1. Purge - 1/2 " H
2. Safety valve - 1/2 " H
3. Heating circuit outlet - 2 " H
4. Heating circuit inlet- 2 " H
5. Drain - 3/4 " H
6. Outlet towards heat pump - 2 " H
7. Inlets for temperature probes and thermometer - 1/2 "
8. Inlet from heat pump - 2 " H
9. Inlet for electrical heater - 1 1/4 "

Note: nomenclature in heating application.

# T-B 300

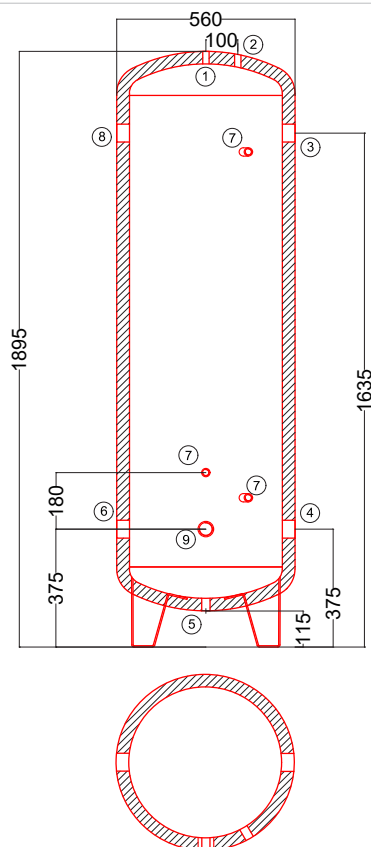
Ref.:  
**858**

- Buffer tank specifically designed to be used with Ecoforest heat pumps.
- Carbon steel made.
- Thermal insulation with rigid foam of injected HCFC free polyurethane and exterior finish with semi-rigid PVC
- Compatible with heating and cooling applications in inline buffer or buffer layout.
- Including two temperature probes inlets (heating and cooling) and an electrical heater inlet.



SPECIFICATIONS T-B 300		UNITS	T-B 300
APPLICATION	Place of installation	-	Indoor
	Mounting	-	On floor
	Heating	-	✓
	Cooling	-	✓
FEATURES	Volume	l	300
	Tank material	-	Carbon steel
	Insulation material	-	Rigid foam of injected HCFC free polyurethane
	Insulation thickness	mm	40
	Exterior finish	-	Semi-rigid PVC
	Maximum working pressure	bar	6,0
	Energy label	-	C
DIMENSIONS/WEIGHT	External diameter	mm	560
	Total height	mm	1.895
	Empty weight	kg	106

## Dimensions and hydraulic connections



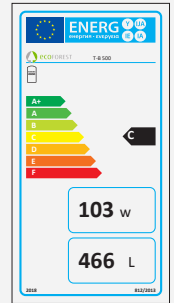
1. Purge - 1/2 " H
2. Safety valve- 1/2 " H
3. Heating circuit outlet - 2 " H
4. Heating circuit inlet - 2 " H
5. Drain - 3/4 " H
6. Outlet towards heat pump - 2 " H
7. Inlets for temperature probes and thermometer - 1/2 "
8. Inlet from heat pump - 2 " H
9. Inlet for electrical heater - 1 1/4 "

Note: nomenclature in heating application.

# T-B 500

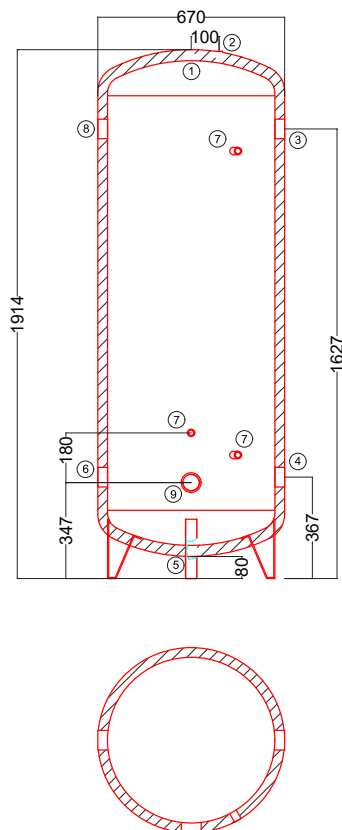
Ref.:  
**863**

- Buffer tank specifically designed to be used with Ecoforest heat pumps.
- Carbon steel made.
- Thermal insulation with rigid foam of injected HCFC free polyurethane and exterior finish with semi-rigid PVC
- Compatible with heating and cooling applications in inline buffer or buffer layout.
- Including two temperature probes inlets (heating and cooling) and an electrical heater inlet.



SPECIFICATIONS T-B 500		UNITS	T-B 500
APPLICATION	Place of installation	-	Indoor
	Mounting	-	On floor
	Heating	-	✓
	Cooling	-	✓
FEATURES	Volume	l	500
	Tank material	-	Carbon steel
	Insulation material	-	Rigid foam of injected HCFC free polyurethane
	Insulation thickness	mm	35
	Exterior finish	-	Semi-rigid PVC
	Maximum working pressure	bar	6,0
	Energy label	-	C
DIMENSIONS/WEIGHT	External diameter	mm	670
	Total height	mm	1.914
	Empty weight	kg	128

## Dimensions and hydraulic connections



1. Purge - 1/2 " H
2. Safety valve- 1/2 " H
3. Heating circuit outlet - 2 " H
4. Heating circuit inlet - 2 " H
5. Drain - 1 " H
6. Outlet towards heat pump - 2 " H
7. Inlets for temperature probes and thermometer - 1/2 "
8. Inlet from heat pump - 2 " H
9. Inlet for electrical heater - 2 "

Note: nomenclature in heating application.

# T-B 750

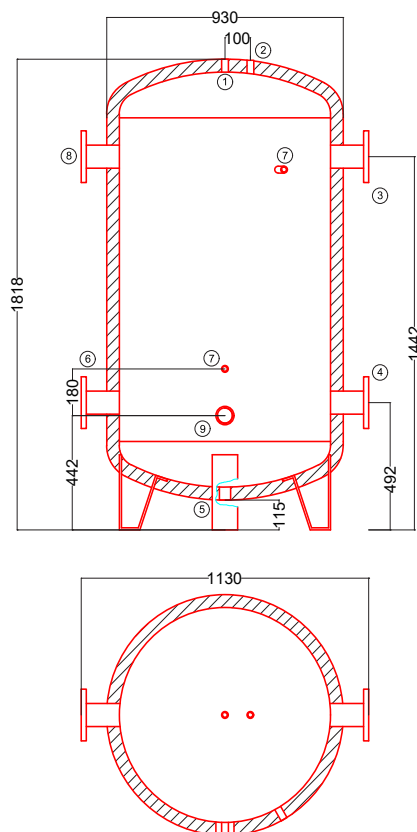
Ref.:  
**864**

- Buffer tank specifically designed to be used with Ecoforest heat pumps.
- Carbon steel made.
- Thermal insulation with rigid foam of injected HCFC free polyurethane and exterior finish with semi-rigid PVC
- Compatible with heating and cooling applications in inline buffer or buffer layout.
- Including two temperature probes inlets (heating and cooling) and an electrical heater inlet.



SPECIFICATIONS T-B 750		UNITS	T-B 750
APPLICATION	Place of installation	-	Indoor
	Mounting	-	On floor
	Heating	-	✓
	Cooling	-	✓
FEATURES	Volume	l	750
	Tank material	-	Carbon steel
	Insulation material	-	Rigid foam of injected HCFC free polyurethane
	Insulation thickness	mm	50
	Exterior finish	-	Semi-rigid PVC
	Maximum working pressure	bar	6,0
	Energy label	-	-
DIMENSIONS/WEIGHT	External diameter	mm	1.130
	Total height	mm	1.818
	Empty weight	kg	171

## Dimensions and hydraulic connections



1. Purge - 1/2 " H
2. Safety valve - 1/2 " H
3. Heating circuit outlet - 3 " H - Flanged connection DIN 2576 PN-10
4. Heating circuit inlet - 3 " H - Flanged connection DIN 2576 PN-10
5. Drain - 1 " H
6. Outlet towards heat pump - 3 " H - Flanged connection DIN 2576 PN-10
7. Inlets for temperature probes and thermometer - 1/2 "
8. Inlet from heat pump - 3 " H - Flanged connection DIN 2576 PN-10
9. Inlet for electrical heater - 2 "

Note: nomenclature in heating application.

# T-B 1000

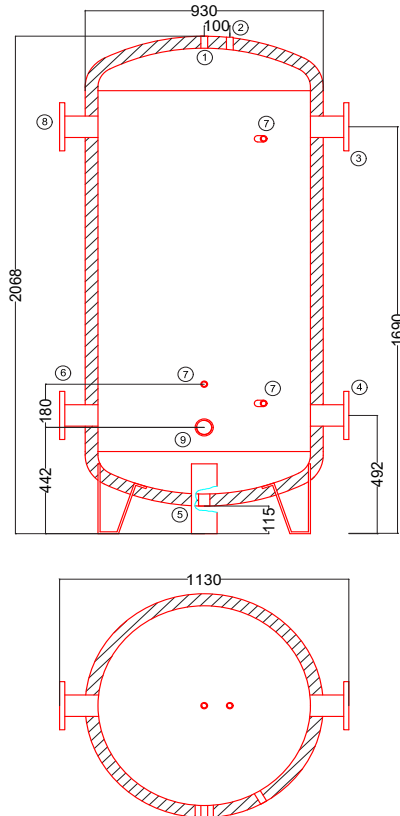
Ref.:  
**860**

- Buffer tank specifically designed to be used with Ecoforest heat pumps.
- Carbon steel made.
- Thermal insulation with rigid foam of injected HCFC free polyurethane and exterior finish with semi-rigid PVC
- Compatible with heating and cooling applications in inline buffer or buffer layout.
- Including two temperature probes inlets (heating and cooling) and an electrical heater inlet.



SPECIFICATIONS T-B 1000		UNITS	T-B 1000
APPLICATION	Place of installation	-	Indoor
	Mounting	-	On floor
	Heating	-	✓
	Cooling	-	✓
FEATURES	Volume	l	1.000
	Tank material	-	Carbon steel
	Insulation material	-	Rigid foam of injected HCFC free polyurethane
	Insulation thickness	mm	50
	Exterior finish	-	Semi-rigid PVC
	Maximum working pressure	bar	6,0
	Energy label	-	-
DIMENSIONS/WEIGHT	External diameter	mm	1.130
	Total height	mm	2.068
	Empty weight	kg	212

## Dimensions and hydraulic connections



1. Purge - 1/2 " H
2. Safety valve - 1/2 " H
3. Heating circuit outlet - 3 " H - Flanged connection DIN 2576 PN-10
4. Heating circuit inlet - 3 " H - Flanged connection DIN 2576 PN-10
5. Drain - 1 " H
6. Outlet towards heat pump - 3 " H - Flanged connection DIN 2576 PN-10
7. Inlets for temperature probes and thermometer - 1/2 "
8. Inlet from heat pump - 3 " H - Flanged connection DIN 2576 PN-10
9. Inlet for electrical heater - 2 "

Note: nomenclature in heating application.

# T-B 1500

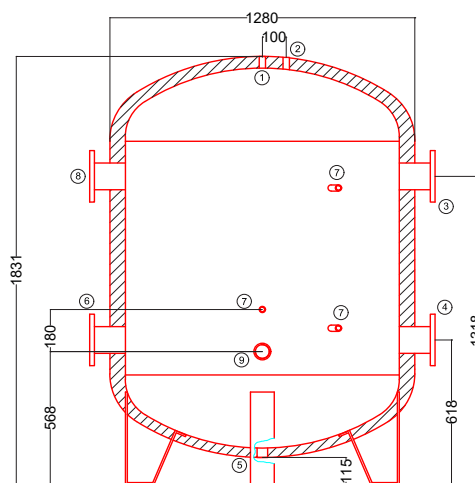
Ref.:  
**867**

- Buffer tank specifically designed to be used with Ecoforest heat pumps.
- Carbon steel made.
- Thermal insulation with rigid foam of injected HCFC free polyurethane and exterior finish with semi-rigid PVC
- Compatible with heating and cooling applications in inline buffer or buffer layout.
- Including two temperature probes inlets (heating and cooling) and an electrical heater inlet.



SPECIFICATIONS T-B 1500		UNITS	T-B 1500
APPLICATION	Place of installation	-	Indoor
	Mounting	-	On floor
	Heating	-	✓
	Cooling	-	✓
FEATURES	Volume	l	1.500
	Tank material	-	Carbon steel
	Insulation material	-	Rigid foam of injected HCFC free polyurethane
	Insulation thickness	mm	65
	Exterior finish	-	Semi-rigid PVC
	Maximum working pressure	bar	6,0
	Energy label	-	-
DIMENSIONS/WEIGHT	External diameter	mm	1.450
	Total height	mm	1.831
	Empty weight	kg	324

## Dimensions and hydraulic connections



1. Purge - 1/2 " H
2. Safety valve - 1/2 " H
3. Heating circuit outlet - 4 " H - Flanged connection DIN 2576 PN-10
4. Heating circuit inlet - 4 " H - Flanged connection DIN 2576 PN-10
5. Drain - 1 " H
6. Outlet towards heat pump - 4 " H - Flanged connection DIN 2576 PN-10
7. Inlets for temperature probes and thermometer - 1/2 "
8. Inlet from heat pump - 4 " H - Flanged connection DIN 2576 PN-10
9. Inlet for electrical heater - 2 "

Note: nomenclature in heating application.

# T-B 2000

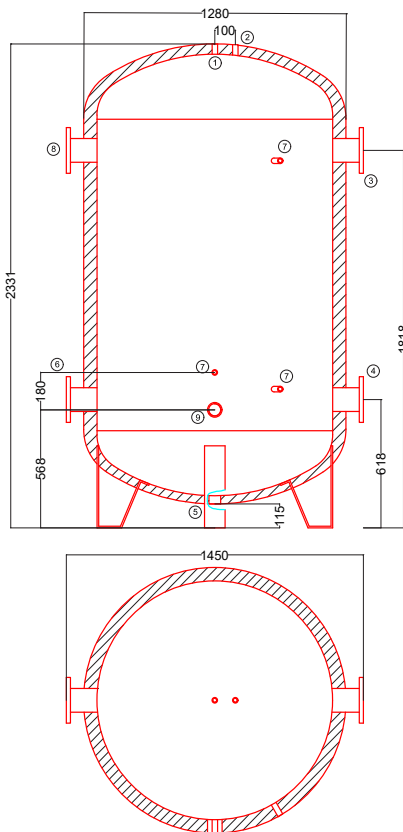
Ref.:  
**861**

- Buffer tank specifically designed to be used with Ecoforest heat pumps.
- Carbon steel made.
- Thermal insulation with rigid foam of injected HCFC free polyurethane and exterior finish with semi-rigid PVC
- Compatible with heating and cooling applications in inline buffer or buffer layout.
- Including two temperature probes inlets (heating and cooling) and an electrical heater inlet.



SPECIFICATIONS T-B 2000		UNITS	T-B 2000
APPLICATION	Place of installation	-	Indoor
	Mounting	-	On floor
	Heating	-	✓
	Cooling	-	✓
FEATURES	Volume	l	2.000
	Tank material	-	Carbon steel
	Insulation material	-	Rigid foam of injected HCFC free polyurethane
	Insulation thickness	mm	65
	Exterior finish	-	Semi-rigid PVC
	Maximum working pressure	bar	6,0
	Energy label	-	-
DIMENSIONS/WEIGHT	External diameter	mm	1.450
	Total height	mm	2.331
	Empty weight	kg	364

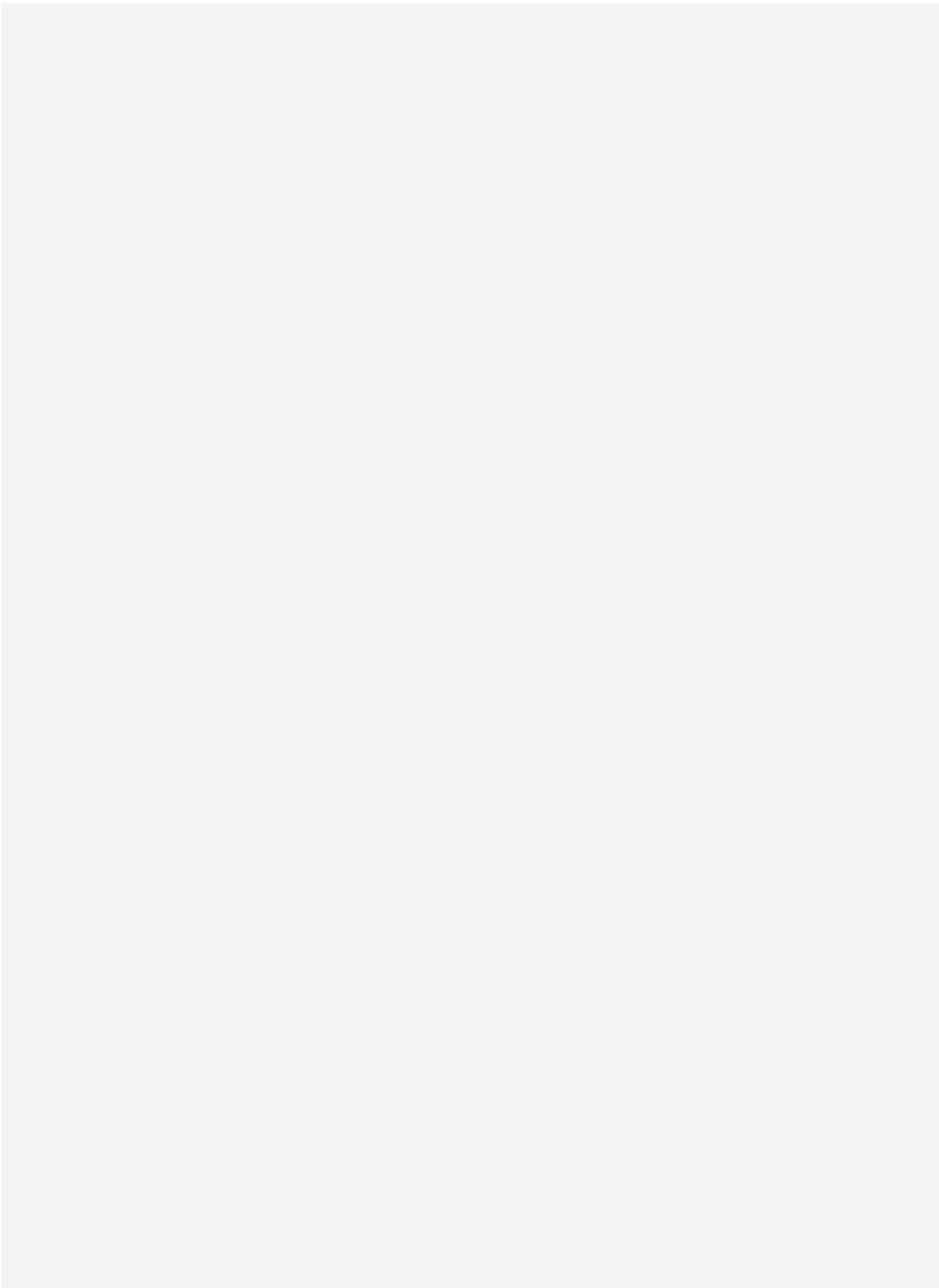
## Dimensions and hydraulic connections

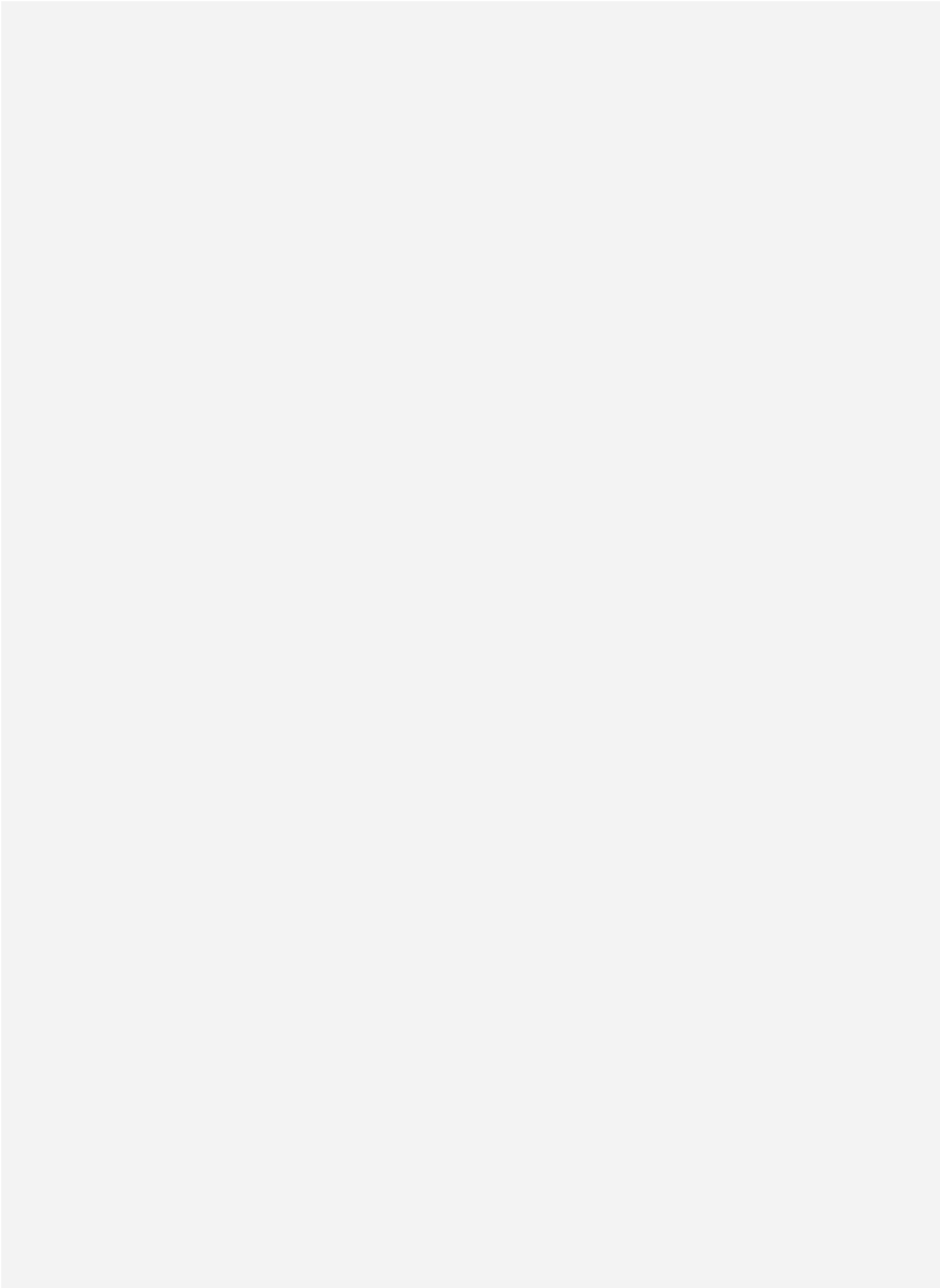


1. Purge - 1/2 " H
2. Safety valve - 1/2 " H
3. Heating circuit outlet - 4 " H - Flanged connection DIN 2576 PN-10
4. Heating circuit inlet - 4 " H - Flanged connection DIN 2576 PN-10
5. Drain - 1 1/2 " H
6. Outlet towards heat pump - 4 " H - Flanged connection DIN 2576 PN-10
7. Inlets for temperature probes and thermometer - 1/2 "
8. Inlet from heat pump - 4 " H - Flanged connection DIN 2576 PN-10
9. Inlet for electrical heater - 2 "

Note: nomenclature in heating application.





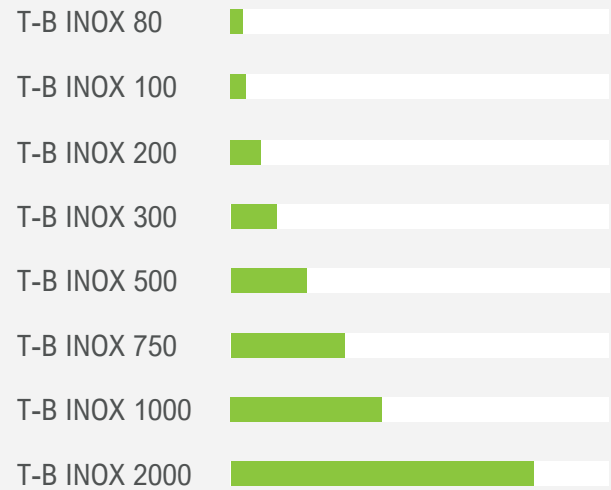


# T-B INOX

Buffer tanks



## Available volumes



## Services

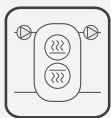


Heating



Cooling

## Application



Inline buffer

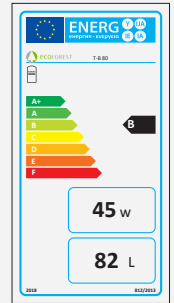


Buffer

# T-B INOX 80

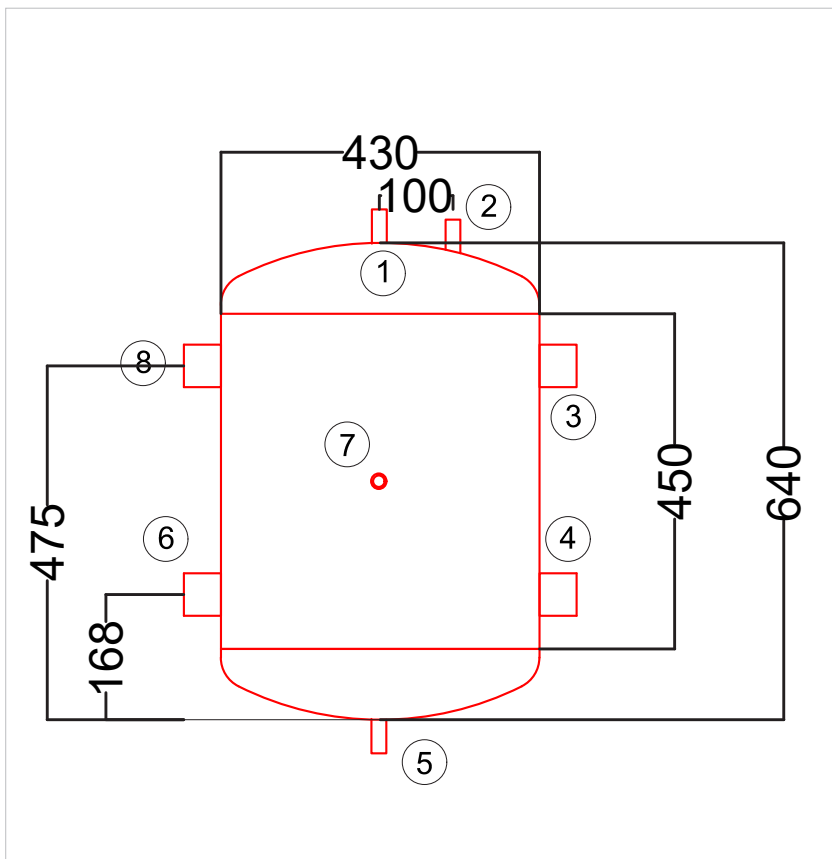
Ref.:  
853/I

- Buffer tank specifically designed to be used with Ecoforest heat pumps.
- Stainless steel made.
- Thermal insulation with rigid foam of injected HCFC free polyurethane and exterior finish with semi-rigid PVC
- Compatible with heating and cooling applications in inline buffer or buffer layout.
- Including one temperature probe inlet (heating and cooling).



SPECIFICATIONS T-B 80		UNITS	T-B 80
APPLICATION	Place of installation	-	Indoor
	Mounting	-	Wall
	Heating	-	✓
	Cooling	-	✓
FEATURES	Volume	l	80
	Tank material	-	Stainless steel
	Insulation material	-	Rigid foam of injected HCFC free polyurethane
	Insulation thickness	mm	45
	Exterior finish	-	Semi-rigid PVC
	Maximum working pressure	bar	6,0
	Energy label	-	B
DIMENSIONS/WEIGHT	External diameter	mm	520
	Total height	mm	730
	Empty weight	kg	31

## Dimensions and hydraulic connections



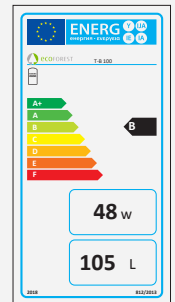
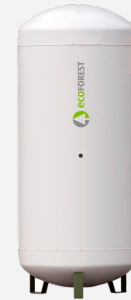
1. Purge - 1/2 " H
2. Safety valve- 1/2 " H
3. Heating circuit outlet - 1 1/2 " H
4. Heating circuit inlet - 1 1/2 " H
5. Drain - 1/2 " H
6. Outlet towards heat pump- 1 1/2 " H
7. Inlet for temperature probe / thermometer - 1/2 "
8. Inlet from heat pump - 1 1/2 " H

Note: nomenclature in heating application.

# T-B INOX 100

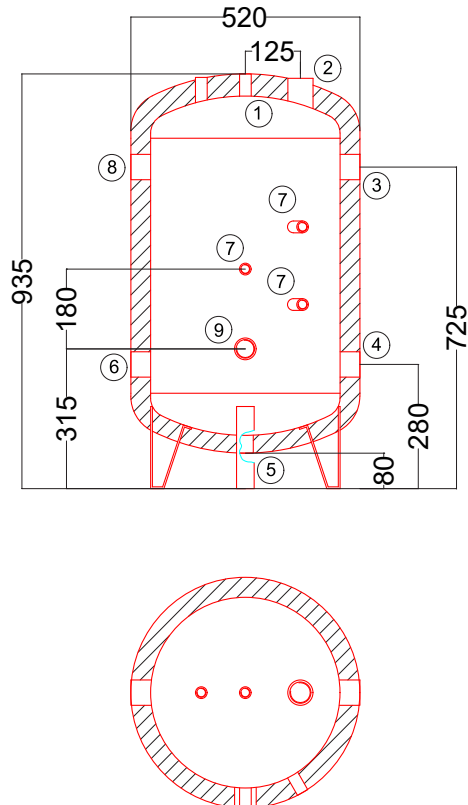
Ref.:  
859/I

- Buffer tank specifically designed to be used with Ecoforest heat pumps.
- Stainless steel made.
- Thermal insulation with rigid foam of injected HCFC free polyurethane and exterior finish with semi-rigid PVC
- Compatible with heating and cooling applications in inline buffer or buffer layout.
- Including two temperature probes inlets (heating and cooling) and an electrical heater inlet.



SPECIFICATIONS T-B 100		UNITS	T-B 100
APPLICATION	Place of installation	-	Indoor
	Mounting	-	On floor
	Heating	-	✓
	Cooling	-	✓
FEATURES	Volume	l	100
	Tank material	-	Stainless steel
	Insulation material	-	Rigid foam of injected HCFC free polyurethane
	Insulation thickness	mm	45
	Exterior finish	-	Semi-rigid PVC
	Maximun working pressure	bar	6,0
	Energy label	-	B
DIMENSIONS/WEIGHT	External diameter	mm	520
	Total height	mm	935
	Empty weight	kg	45

## Dimensions and hydraulic connections



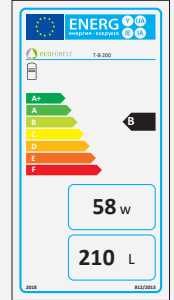
1. Purge - 1/2 " H
2. Safety valve - 1/2 " H
3. Heating circuit outlet - 1 1/2 " H
4. Heating circuit inlet - 1 1/2 " H
5. Drain - 3/4 " H
6. Outlet towards heat pump - 1 1/2 " H
7. Inlets for temperature probes and thermometer - 1/2 "
8. Inlet from heat pump - 1 1/2 " H
9. Inlet for electrical heater - 1 1/4 "

Note: nomenclature in heating application.

# T-B INOX 200

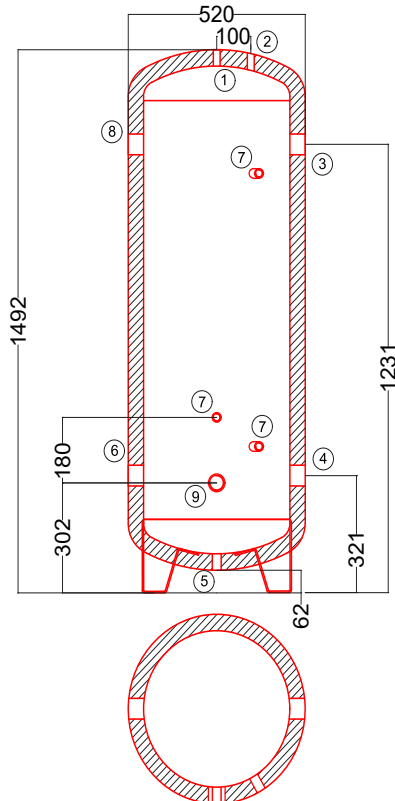
Ref.:  
857/I

- Buffer tank specifically designed to be used with Ecoforest heat pumps.
- Stainless steel made.
- Thermal insulation with rigid foam of injected HCFC free polyurethane and exterior finish with semi-rigid PVC
- Compatible with heating and cooling applications in inline buffer or buffer layout.
- Including two temperature probes inlets (heating and cooling) and an electrical heater inlet.



SPECIFICATIONS T-B 200		UNITS	T-B 200
APPLICATION	Place of installation	-	Indoor
	Mounting	-	On floor
	Heating	-	✓
	Cooling	-	✓
FEATURES	Volume	l	200
	Tank material	-	Stainless steel
	Insulation material	-	Rigid foam of injected HCFC free polyurethane
	Insulation thickness	mm	45
	Exterior finish	-	Semi-rigid PVC
	Maximum working pressure	bar	6,0
	Energy label	-	B
DIMENSIONS/WEIGHT	External diameter	mm	520
	Total height	mm	1.492
	Empty weight	kg	69

## Dimensions and hydraulic connections



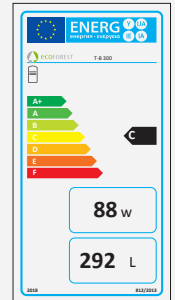
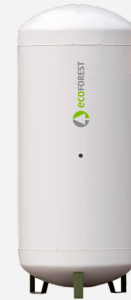
1. Purge - 1/2 " H
2. Safety valve - 1/2 " H
3. Heating circuit outlet - 2 " H
4. Heating circuit inlet- 2 " H
5. Drain - 3/4 " H
6. Outlet towards heat pump - 2 " H
7. Inlets for temperature probes and thermometer - 1/2 "
8. Inlet from heat pump - 2 " H
9. Inlet for electrical heater - 1 1/4 "

Note: nomenclature in heating application.

# T-B INOX 300

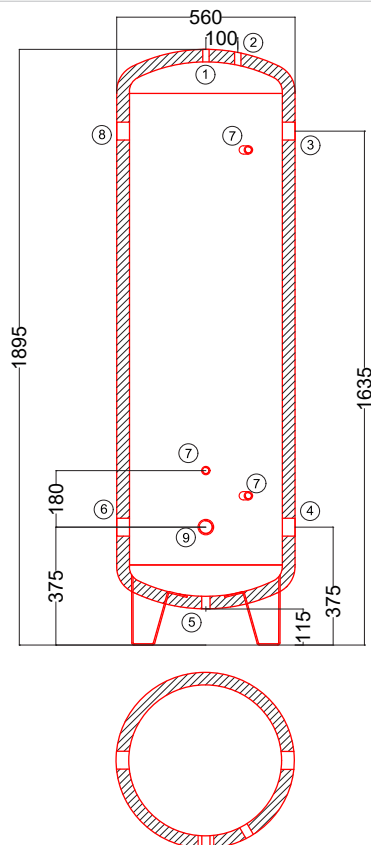
Ref.:  
858/I

- Buffer tank specifically designed to be used with Ecoforest heat pumps.
- Stainless steel made.
- Thermal insulation with rigid foam of injected HCFC free polyurethane and exterior finish with semi-rigid PVC
- Compatible with heating and cooling applications in inline buffer or buffer layout.
- Including two temperature probes inlets (heating and cooling) and an electrical heater inlet.



SPECIFICATIONS T-B 300		UNITS	T-B 300
APPLICATION	Place of installation	-	Indoor
	Mounting	-	On floor
	Heating	-	✓
	Cooling	-	✓
FEATURES	Volume	l	300
	Tank material	-	Stainless steel
	Insulation material	-	Rigid foam of injected HCFC free polyurethane
	Insulation thickness	mm	40
	Exterior finish	-	Semi-rigid PVC
	Maximum working pressure	bar	6,0
	Energy label	-	C
DIMENSIONS/WEIGHT	External diameter	mm	560
	Total height	mm	1.895
	Empty weight	kg	106

## Dimensions and hydraulic connections



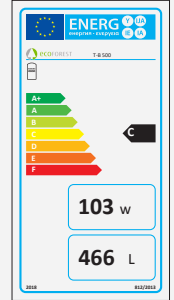
1. Purge - 1/2 " H
2. Safety valve- 1/2 " H
3. Heating circuit outlet - 2 " H
4. Heating circuit inlet - 2 " H
5. Drain - 3/4 " H
6. Outlet towards heat pump - 2 " H
7. Inlets for temperature probes and thermometer - 1/2 "
8. Inlet from heat pump - 2 " H
9. Inlet for electrical heater - 1 1/4 "

Note: nomenclature in heating application.

# T-B INOX 500

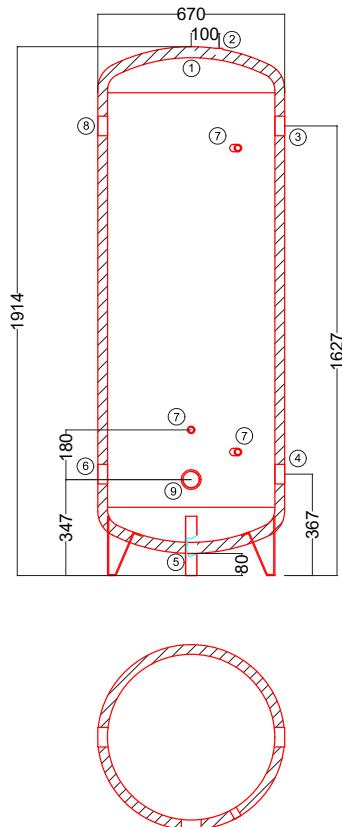
Ref.:  
863/I

- Buffer tank specifically designed to be used with Ecoforest heat pumps.
- Stainless steel made.
- Thermal insulation with rigid foam of injected HCFC free polyurethane and exterior finish with semi-rigid PVC
- Compatible with heating and cooling applications in inline buffer or buffer layout.
- Including two temperature probes inlets (heating and cooling) and an electrical heater inlet.



SPECIFICATIONS T-B 500		UNITS	T-B 500
APPLICATION	Place of installation	-	Indoor
	Mounting	-	On floor
	Heating	-	✓
	Cooling	-	✓
FEATURES	Volume	l	500
	Tank material	-	Stainless steel
	Insulation material	-	Rigid foam of injected HCFC free polyurethane
	Insulation thickness	mm	35
	Exterior finish	-	Semi-rigid PVC
	Maximum working pressure	bar	6,0
	Energy label	-	C
DIMENSIONS/WEIGHT	External diameter	mm	670
	Total height	mm	1.914
	Empty weight	kg	128

## Dimensions and hydraulic connections



1. Purge - 1/2 " H
2. Safety valve- 1/2 " H
3. Heating circuit outlet - 2 " H
4. Heating circuit inlet - 2 " H
5. Drain - 1 " H
6. Outlet towards heat pump - 2 " H
7. Inlets for temperature probes and thermometer - 1/2 "
8. Inlet from heat pump - 2 " H
9. Inlet for electrical heater - 2 "

Note: nomenclature in heating application.



# T-B INOX 750

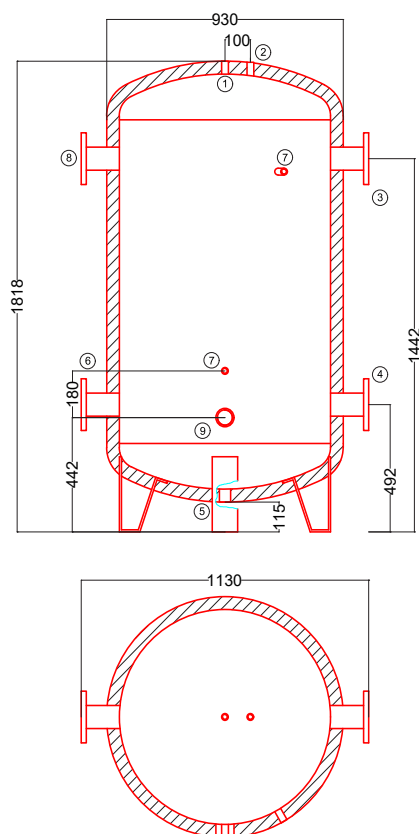
Ref.:  
**864/I**

- Buffer tank specifically designed to be used with Ecoforest heat pumps.
- Stainless steel made.
- Thermal insulation with rigid foam of injected HCFC free polyurethane and exterior finish with semi-rigid PVC
- Compatible with heating and cooling applications in inline buffer or buffer layout.
- Including two temperature probes inlets (heating and cooling) and an electrical heater inlet.



SPECIFICATIONS T-B 750		UNITS	T-B 750
APPLICATION	Place of installation	-	Indoor
	Mounting	-	On floor
	Heating	-	✓
	Cooling	-	✓
FEATURES	Volume	l	750
	Tank material	-	Stainless steel
	Insulation material	-	Rigid foam of injected HCFC free polyurethane
	Insulation thickness	mm	50
	Exterior finish	-	Semi-rigid PVC
	Maximum working pressure	bar	6,0
	Energy label	-	-
DIMENSIONS/WEIGHT	External diameter	mm	1.130
	Total height	mm	1.818
	Empty weight	kg	171

## Dimensions and hydraulic connections



1. Purge - 1/2 " H
2. Safety valve - 1/2 " H
3. Heating circuit outlet - 3 " H - Flanged connection DIN 2576 PN-10
4. Heating circuit inlet - 3 " H - Flanged connection DIN 2576 PN-10
5. Drain - 1 " H
6. Outlet towards heat pump - 3 " H - Flanged connection DIN 2576 PN-10
7. Inlets for temperature probes and thermometer - 1/2 "
8. Inlet from heat pump - 3 " H - Flanged connection DIN 2576 PN-10
9. Inlet for electrical heater - 2 "

Note: nomenclature in heating application.

# T-B INOX 1000

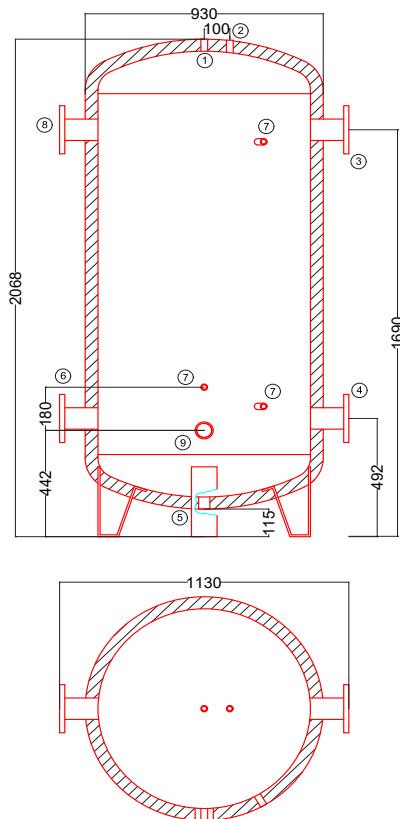
Ref.:  
860/I

- Buffer tank specifically designed to be used with Ecoforest heat pumps.
- Stainless steel made.
- Thermal insulation with rigid foam of injected HCFC free polyurethane and exterior finish with semi-rigid PVC
- Compatible with heating and cooling applications in inline buffer or buffer layout.
- Including two temperature probes inlets (heating and cooling) and an electrical heater inlet.



SPECIFICATIONS T-B 1000		UNITS	T-B 1000
APPLICATION	Place of installation	-	Indoor
	Mounting	-	On floor
	Heating	-	✓
	Cooling	-	✓
FEATURES	Volume	l	1.000
	Tank material	-	Stainless steel
	Insulation material	-	Rigid foam of injected HCFC free polyurethane
	Insulation thickness	mm	50
	Exterior finish	-	Semi-rigid PVC
	Maximum working pressure	bar	6,0
	Energy label	-	-
DIMENSIONS/WEIGHT	External diameter	mm	1.130
	Total height	mm	2.068
	Empty weight	kg	212

## Dimensions and hydraulic connections



1. Purge - 1/2 " H
2. Safety valve - 1/2 " H
3. Heating circuit outlet - 3 " H - Flanged connection DIN 2576 PN-10
4. Heating circuit inlet - 3 " H - Flanged connection DIN 2576 PN-10
5. Drain - 1 " H
6. Outlet towards heat pump - 3 " H - Flanged connection DIN 2576 PN-10
7. Inlets for temperature probes and thermometer - 1/2 "
8. Inlet from heat pump - 3 " H - Flanged connection DIN 2576 PN-10
9. Inlet for electrical heater - 2 "

Note: nomenclature in heating application.

# T-B INOX 1500

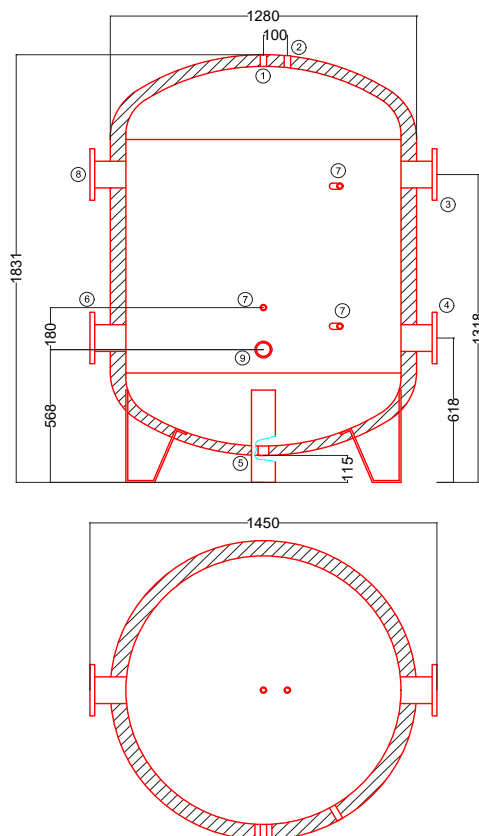
Ref.:  
867/I

- Buffer tank specifically designed to be used with Ecoforest heat pumps.
- Stainless steel made.
- Thermal insulation with rigid foam of injected HCFC free polyurethane and exterior finish with semi-rigid PVC
- Compatible with heating and cooling applications in inline buffer or buffer layout.
- Including two temperature probes inlets (heating and cooling) and an electrical heater inlet.



SPECIFICATIONS T-B 1500		UNITS	T-B 1500
APPLICATION	Place of installation	-	Indoor
	Mounting	-	On floor
	Heating	-	✓
	Cooling	-	✓
FEATURES	Volume	l	1.500
	Tank material	-	Stainless steel
	Insulation material	-	Rigid foam of injected HCFC free polyurethane
	Insulation thickness	mm	65
	Exterior finish	-	Semi-rigid PVC
	Maximum working pressure	bar	6,0
	Energy label	-	-
DIMENSIONS/WEIGHT	External diameter	mm	1.450
	Total height	mm	1.831
	Empty weight	kg	324

## Dimensions and hydraulic connections



1. Purge - 1/2 " H
2. Safety valve - 1/2 " H
3. Heating circuit outlet - 4 " H - Flanged connection DIN 2576 PN-10
4. Heating circuit inlet - 4 " H - Flanged connection DIN 2576 PN-10
5. Drain - 1 " H
6. Outlet towards heat pump - 4 " H - Flanged connection DIN 2576 PN-10
7. Inlets for temperature probes and thermometer - 1/2 "
8. Inlet from heat pump - 4 " H - Flanged connection DIN 2576 PN-10
9. Inlet for electrical heater - 2 "

Note: nomenclature in heating application.

# T-B INOX 2000

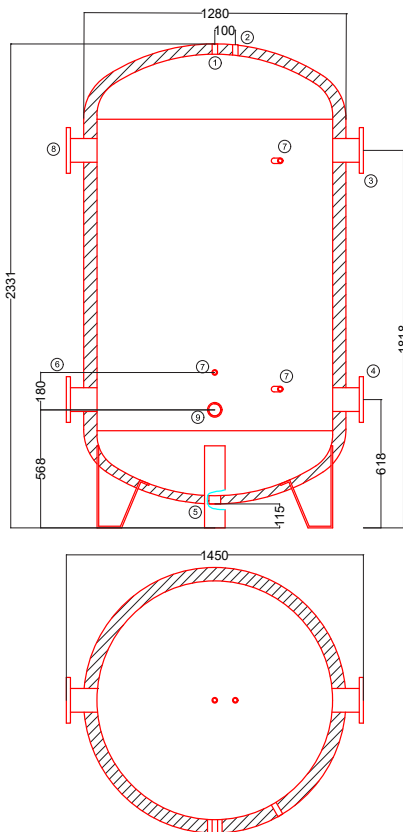
Ref.:  
**861/I**

- Buffer tank specifically designed to be used with Ecoforest heat pumps.
- Stainless steel made.
- Thermal insulation with rigid foam of injected HCFC free polyurethane and exterior finish with semi-rigid PVC
- Compatible with heating and cooling applications in inline buffer or buffer layout.
- Including two temperature probes inlets (heating and cooling) and an electrical heater inlet.



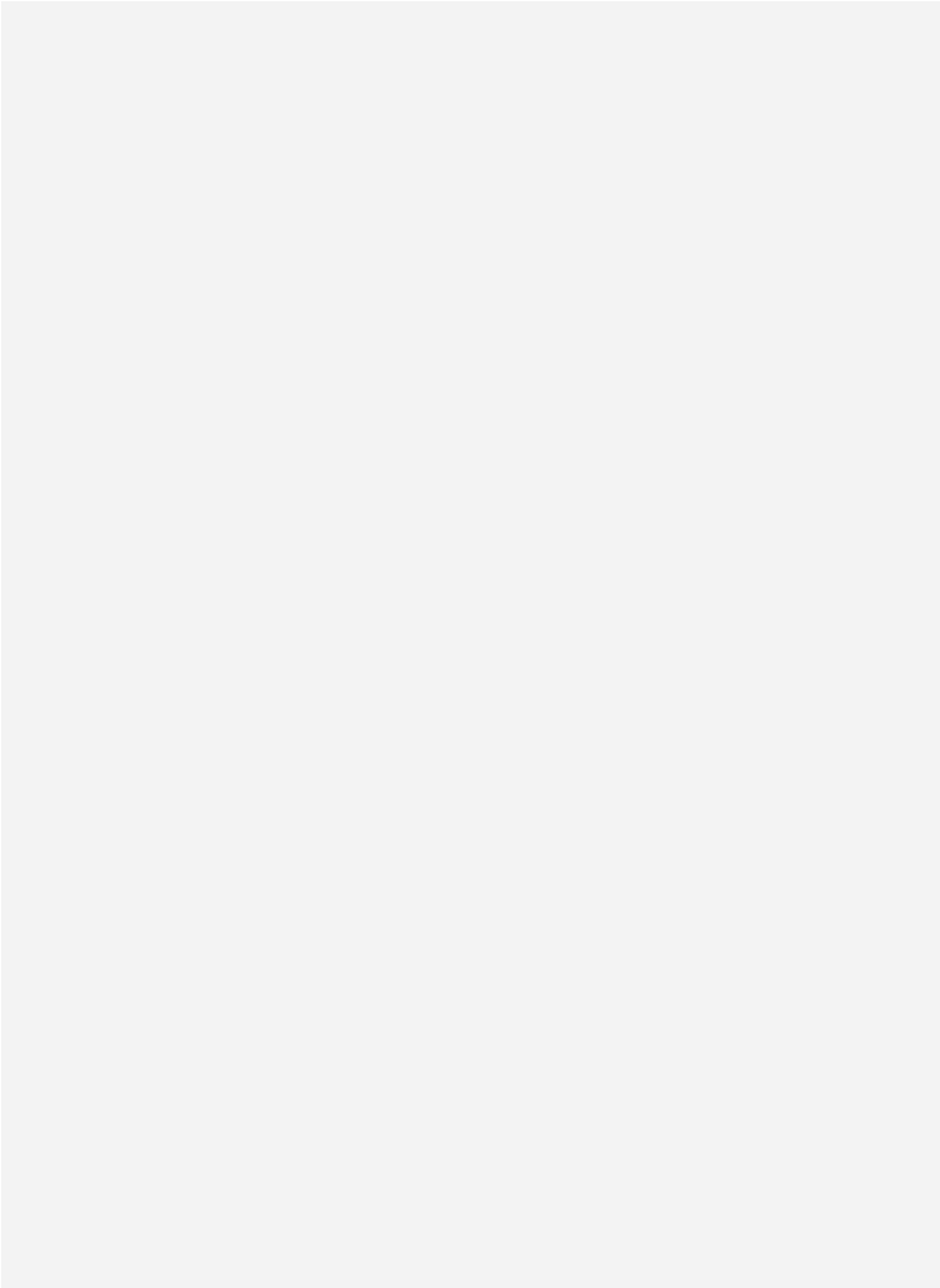
SPECIFICATIONS T-B 2000		UNITS	T-B 2000
APPLICATION	Place of installation	-	Indoor
	Mounting	-	On floor
	Heating	-	✓
	Cooling	-	✓
FEATURES	Volume	l	2.000
	Tank material	-	Stainless steel
	Insulation material	-	Rigid foam of injected HCFC free polyurethane
	Insulation thickness	mm	65
	Exterior finish	-	Semi-rigid PVC
	Maximum working pressure	bar	6,0
	Energy label	-	-
DIMENSIONS/WEIGHT	External diameter	mm	1.450
	Total height	mm	2.331
	Empty weight	kg	364

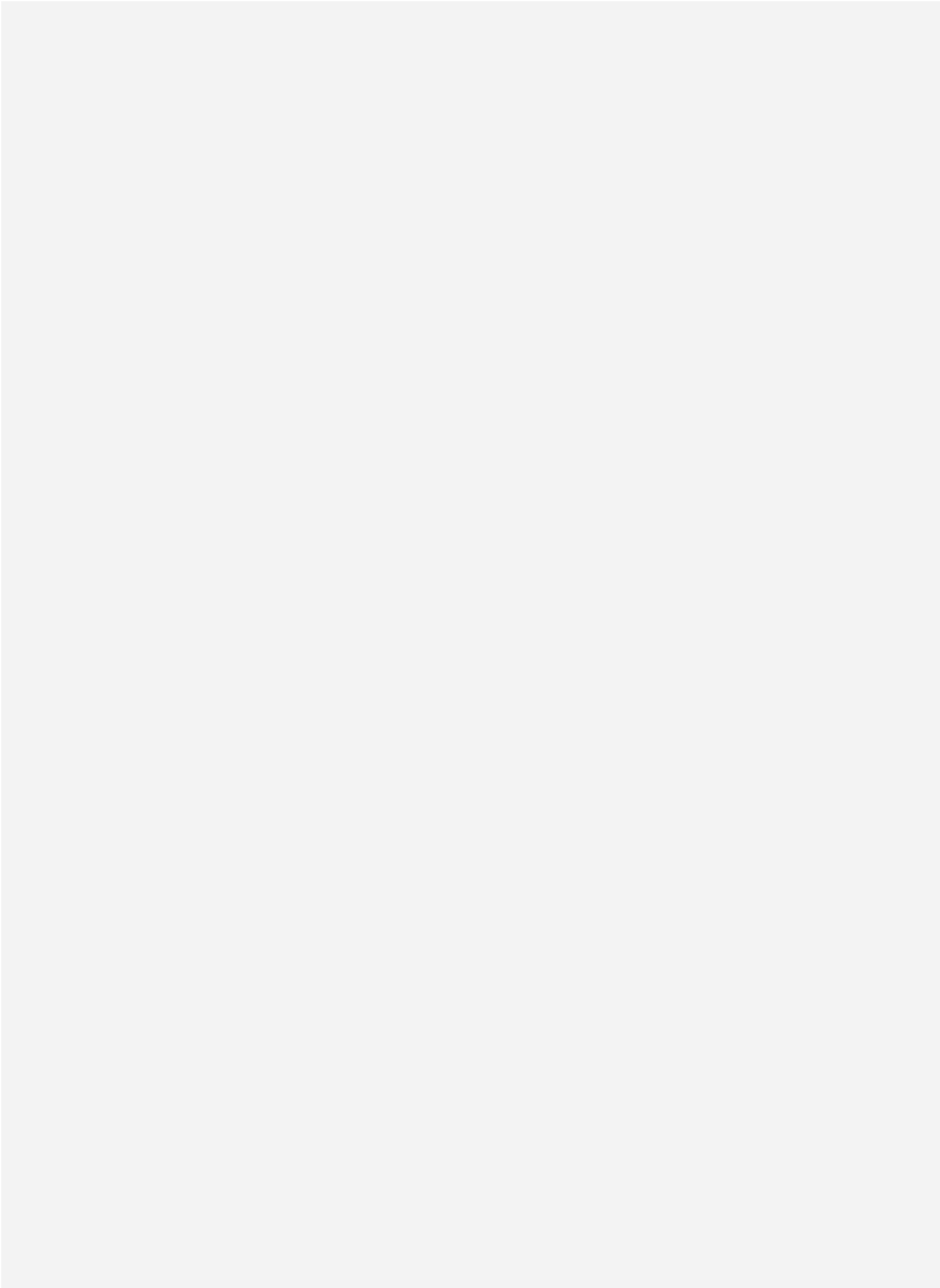
## Dimensions and hydraulic connections



1. Purge - 1/2 " H
2. Safety valve - 1/2 " H
3. Heating circuit outlet - 4 " H - Flanged connection DIN 2576 PN-10
4. Heating circuit inlet - 4 " H - Flanged connection DIN 2576 PN-10
5. Drain - 1 1/2 " H
6. Outlet towards heat pump - 4 " H - Flanged connection DIN 2576 PN-10
7. Inlets for temperature probes and thermometer - 1/2 "
8. Inlet from heat pump - 4 " H - Flanged connection DIN 2576 PN-10
9. Inlet for electrical heater - 2 "

Note: nomenclature in heating application.





# T-DW

Simple coil DHW tanks



### Available volumes

T-DW 200 / 200C	<div style="width: 10%;"></div>
T-DW 300 / 300C	<div style="width: 15%;"></div>
T-DW 300-A	<div style="width: 15%;"></div>
T-DW 400	<div style="width: 20%;"></div>
T-DW 500	<div style="width: 25%;"></div>
T-DW 750	<div style="width: 40%;"></div>
T-DW 1000	<div style="width: 50%;"></div>
T-DW 2000	<div style="width: 75%;"></div>

### Services



DHW

### Application

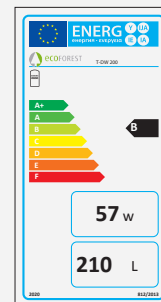


DHW storage tank  
Single coil

# T-DW 200

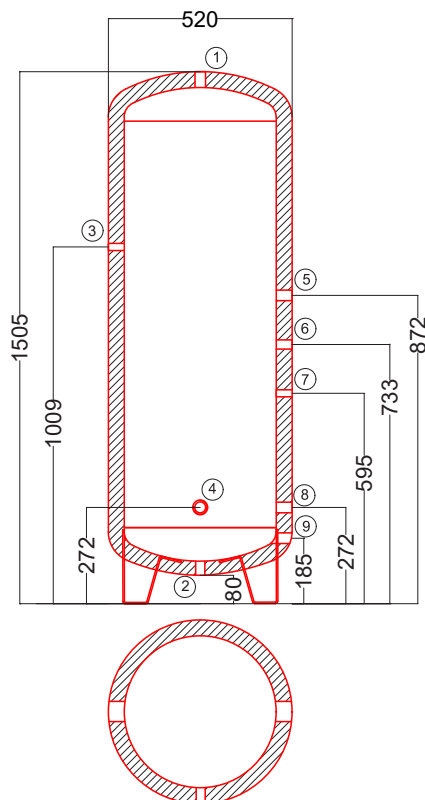
Ref.:  
**852**

- Corrugated single coil DHW tank specifically designed to be combined with Ecoforest heat pumps.
- AISI 316 stainless steel made.
- Thermal insulation with rigid foam of injected HCFC free polyurethane and exterior finish with semi-rigid PVC
- Storage tank compatible with DHW applications.
- Including a temperature probe inlet and an electrical heater inlet.



SPECIFICATIONS T-DW 200		UNITS	T-DW 200
APPLICATION	Place of installation	-	Indoor
	Mounting	-	On floor
	DHW	-	✓
FEATURES	Volume	l	200
	Tank material	-	AISI 316 stainless steel
	Insulation material	-	Rigid foam of injected HCFC free polyurethane
	Insulation thickness	mm	45
	Exterior finish	-	Semi-rigid PVC
	Coil heat transfer surface	m <sup>2</sup>	2,3
	Maximum coil working pressure	bar	6,0
	Maximum DHW working pressure	bar	8,0
	Energy label	-	B
DIMENSIONS/WEIGHT	External diameter	mm	520
	Total height	mm	1.505
	Empty weight	kg	47

## Dimensions and hydraulic connections



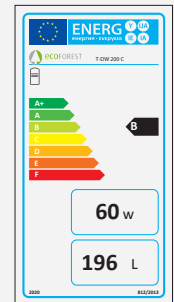
1. DHW outlet- 1 " H
2. Drain - 3/4 " H
3. Free connection - 1/2 " H
4. Inlet for electrical heater - 1-1/4 " H
5. Primary circuit inlet - 1 " H
6. DHW recirculation - 3/4 " H
7. Temperature probe inlet - 1/2 " H
8. Primary circuit outlet - 1 " H
9. DCW inlet - 1 " M



# T-DW 200C

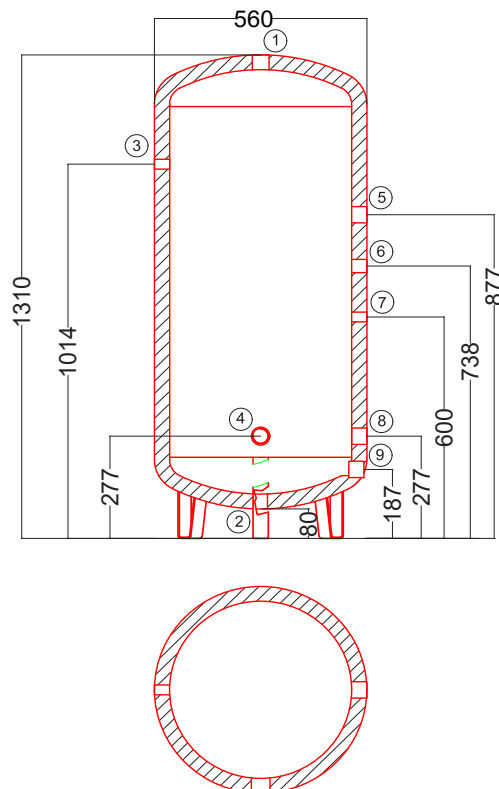
Ref.:  
853/1

- Corrugated single coil DHW tank specifically designed to be combined with Ecoforest heat pumps.
- AISI 316 stainless steel made.
- Thermal insulation with rigid foam of injected HCFC free polyurethane and exterior finish with semi-rigid PVC
- Storage tank compatible with DHW applications.
- Including a temperature probe inlet and an electrical heater inlet.



SPECIFICATIONS T-DW 200C		UNITS	T-DW 200C
APPLICATION	Place of installation	-	Indoor
	Mounting	-	On floor
	DHW	-	✓
FEATURES	Volume	l	200
	Tank material	-	AISI 316 stainless steel
	Insulation material	-	Rigid foam of injected HCFC free polyurethane
	Insulation thickness	mm	40
	Exterior finish	-	Semi-rigid PVC
	Coil heat transfer surface	m <sup>2</sup>	2,3
	Maximum coil working pressure	bar	6,0
	Maximum DHW working pressure	bar	8,0
	Energy label	-	B
DIMENSIONS/WEIGHT	External diameter	mm	560
	Total height	mm	1.310
	Empty weight	kg	53

## Dimensions and hydraulic connections

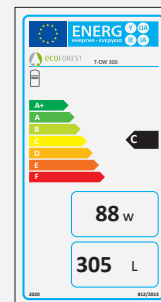


1. DHW outlet- 1 " H
2. Drain - 3/4 " H
3. Free connection - 1/2 " H
4. Inlet for electrical heater - 1-1/4 " H
5. Primary circuit inlet - 1 " H
6. DHW recirculation - 3/4 " H
7. Temperature probe inlet - 1/2 " H
8. Primary circuit outlet - 1 " H
9. DCW inlet - 1 " M

# T-DW 300

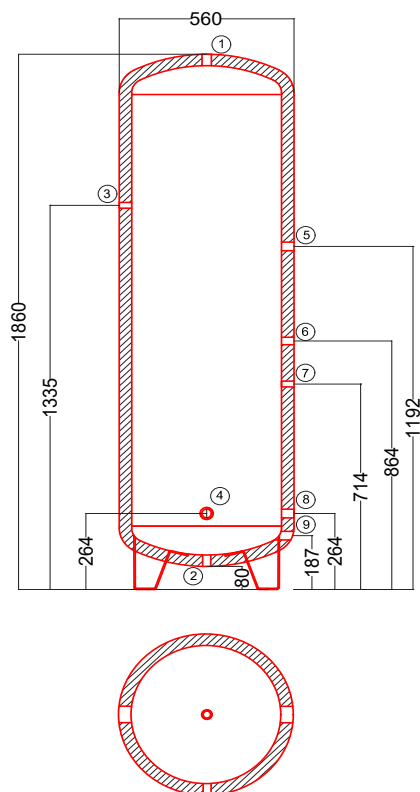
Ref.:  
**851**

- Corrugated single coil DHW tank specifically designed to be combined with Ecoforest heat pumps.
- AISI 316 stainless steel made.
- Thermal insulation with rigid foam of injected HCFC free polyurethane and exterior finish with semi-rigid PVC
- Storage tank compatible with DHW applications.
- Including a temperature probe inlet and an electrical heater inlet.



SPECIFICATIONS T-DW 300		UNITS	T-DW 300
APPLICATION	Place of installation	-	Indoor
	Mounting	-	On floor
	DHW	-	✓
FEATURES	Volume	l	300
	Tank material	-	AISI 316 stainless steel
	Insulation material	-	Rigid foam of injected HCFC free polyurethane
	Insulation thickness	mm	40
	Exterior finish	-	Semi-rigid PVC
	Coil heat transfer surface	m <sup>2</sup>	3,11
	Maximum coil working pressure	bar	6,0
	Maximum DHW working pressure	bar	8,0
	Energy label	-	C
DIMENSIONS/WEIGHT	External diameter	mm	560
	Total height	mm	1.860
	Empty weight	kg	64

## Dimensions and hydraulic connections

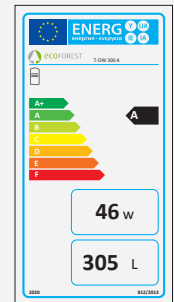


1. DHW outlet- 1 " H
2. Drain - 3/4 " H
3. Free connection - 1/2 " H
4. Inlet for electrical heater - 1-1/4 " H
5. Primary circuit inlet - 1 " H
6. DHW recirculation - 3/4 " H
7. Temperature probe inlet - 1/2 " H
8. Primary circuit outlet - 1 " H
9. DCW inlet - 1 " M

# T-DW 300-A

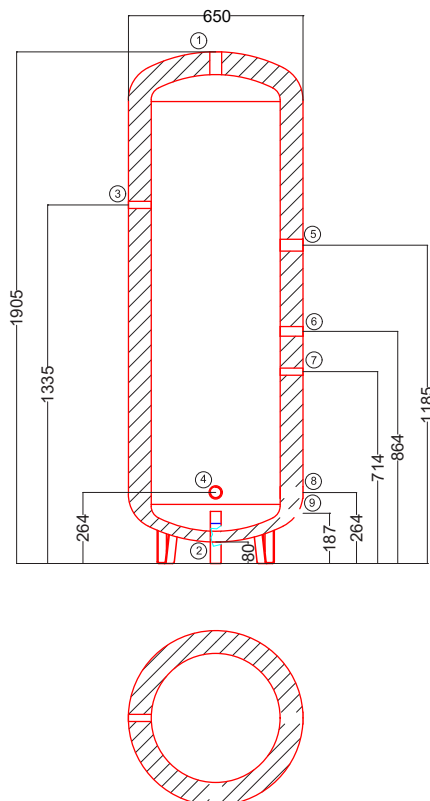
Ref.:  
851/A

- Corrugated single coil DHW tank specifically designed to be combined with Ecoforest heat pumps.
- AISI 316 stainless steel made.
- Thermal insulation with rigid foam of injected HCFC free polyurethane and exterior finish with semi-rigid PVC
- Storage tank compatible with DHW applications.
- Including a temperature probe inlet and an electrical heater inlet.



SPECIFICATIONS T-DW 300-A		UNITS	T-DW 300-A
APPLICATION	Place of installation	-	Indoor
	Mounting	-	On floor
	DHW	-	✓
FEATURES	Volume	l	300
	Tank material	-	AISI 316 stainless steel
	Insulation material	-	Rigid foam of injected HCFC free polyurethane
	Insulation thickness	mm	80
	Exterior finish	-	Semi-rigid PVC
	Coil heat transfer surface	m <sup>2</sup>	3,11
	Maximum coil working pressure	bar	6,0
	Maximum DHW working pressure	bar	8,0
	Energy label	-	A
DIMENSIONS/WEIGHT	External diameter	mm	650
	Total height	mm	1.905
	Empty weight	kg	74

## Dimensions and hydraulic connections

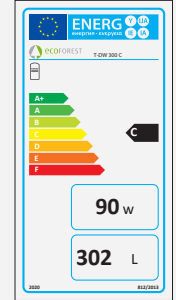


1. DHW outlet- 1 " H
2. Drain - 3/4 " H
3. Free connection - 1/2 " H
4. Inlet for electrical heater - 1-1/4 " H
5. Primary circuit inlet - 1 " H
6. DHW recirculation - 3/4 " H
7. Temperature probe inlet - 1/2 " H
8. Primary circuit outlet - 1 " H
9. DCW inlet - 1 " M

# T-DW 300C

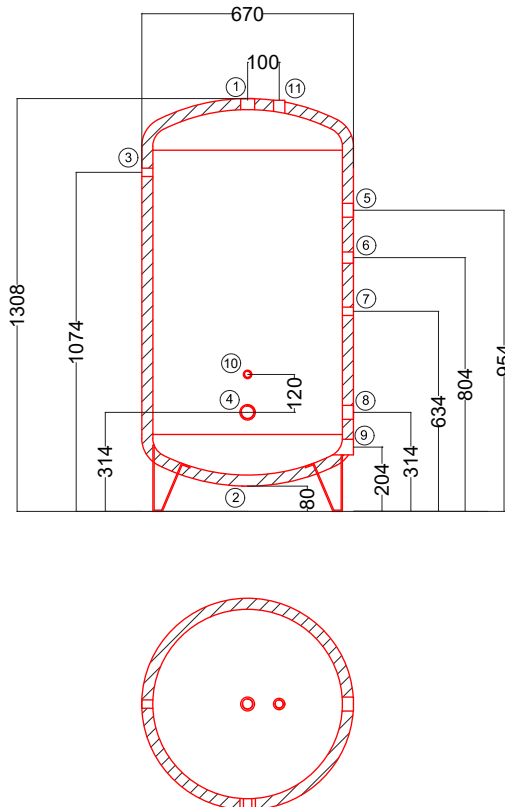
Ref.:  
852/1

- Corrugated single coil DHW tank specifically designed to be combined with Ecoforest heat pumps.
- AISI 316 stainless steel made.
- Thermal insulation with rigid foam of injected HCFC free polyurethane and exterior finish with semi-rigid PVC
- Storage tank compatible with DHW applications.
- Including a temperature probe inlet and an electrical heater inlet.



SPECIFICATIONS T-DW 300C		UDS.	T-DW 300C
APPLICATION	Place of installation	-	Indoor
	Mounting	-	On floor
	DHW	-	✓
FEATURES	Volume	l	300
	Tank material	-	AISI 316 stainless steel
	Insulation material	-	Rigid foam of injected HCFC free polyurethane
	Insulation thickness	mm	35
	Exterior finish	-	Semi-rigid PVC
	Coil heat transfer surface	m <sup>2</sup>	3,11
	Maximum coil working pressure	bar	6,0
	Maximum DHW working pressure	bar	8,0
	Energy label	-	C
DIMENSIONS/WEIGHT	External diameter	mm	670
	Total height	mm	1.308
	Empty weight	kg	74

## Dimensions and hydraulic connections

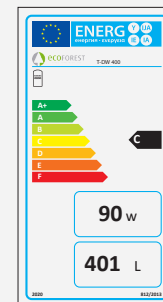


1. DHW outlet- 1 " H
2. Drain - 3/4 " H
3. Free connection - 1/2 " H
4. Inlet for electrical heater - 1-1/4 " H
5. Primary circuit inlet - 1 " H
6. DHW recirculation - 3/4 " H
7. Temperature probe inlet - 1/2 " H
8. Primary circuit outlet - 1 " H
9. DCW inlet - 1 " M
10. Inlet for temperature probe / thermometer - 1/2 " H
11. Connection for cathodic protection - 3/4 " H

# T-DW 400

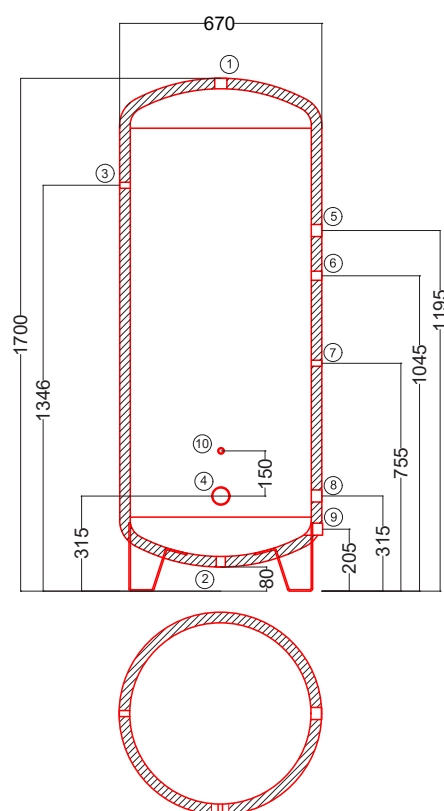
Ref.:  
**862**

- Corrugated single coil DHW tank specifically designed to be combined with Ecoforest heat pumps.
- AISI 316 stainless steel made.
- Thermal insulation with rigid foam of injected HCFC free polyurethane and exterior finish with semi-rigid PVC
- Storage tank compatible with DHW applications.
- Including a temperature probe inlet and an electrical heater inlet.



SPECIFICATIONS T-DW 400		UNITS	T-DW 400
APPLICATION	Place of installation	-	Indoor
	Mounting	-	On floor
	DHW	-	✓
FEATURES	Volume	l	400
	Tank material	-	AISI 316 stainless steel
	Insulation material	-	Rigid foam of injected HCFC free polyurethane
	Insulation thickness	mm	35
	Exterior finish	-	Semi-rigid PVC
	Coil heat transfer surface	m <sup>2</sup>	4,10
	Maximum coil working pressure	bar	6,0
	Maximum DHW working pressure	bar	8,0
	Energy label	-	C
DIMENSIONS/WEIGHT	External diameter	mm	670
	Total height	mm	1.700
	Empty weight	kg	78

## Dimensions and hydraulic connections

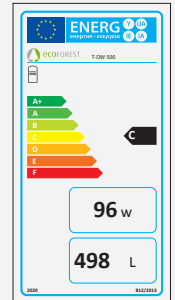


1. DHW outlet- 1- 1/4 " H
2. Drain - 1 " H
3. Free connection - 1/2 " H
4. Inlet for electrical heater - 2 " H
5. Primary circuit inlet - 1 " H
6. DHW recirculation - 3/4 " H
7. Temperature probe inlet - 1/2 "
8. Primary circuit outlet - 1 " H
9. DCW inlet - 1-1/4 " M
10. Inlet for temperature probe / thermometer - 1/2 "

# T-DW 500

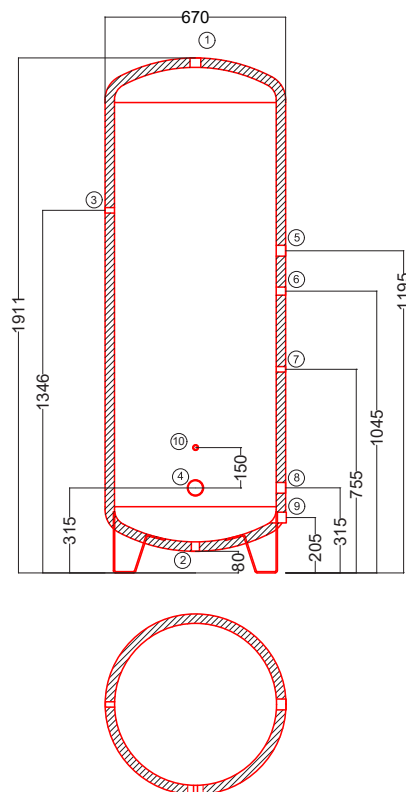
Ref.:  
**854**

- Corrugated single coil DHW tank specifically designed to be combined with Ecoforest heat pumps.
- AISI 316 stainless steel made.
- Thermal insulation with rigid foam of injected HCFC free polyurethane and exterior finish with semi-rigid PVC
- Storage tank compatible with DHW applications.
- Including a temperature probe inlet and an electrical heater inlet.



SPECIFICATIONS T-DW 500		UNITS	T-DW 500
APPLICATION	Place of installation	-	Indoor
	Mounting	-	On floor
	DHW	-	✓
FEATURES	Volume	l	500
	Tank material	-	AISI 316 stainless steel
	Insulation material	-	Rigid foam of injected HCFC free polyurethane
	Insulation thickness	mm	35
	Exterior finish	-	Semi-rigid PVC
	Coil heat transfer surface	m <sup>2</sup>	4,42
	Maximum coil working pressure	bar	6,0
	Maximum DHW working pressure	bar	8,0
	Energy label	-	C
DIMENSIONS/WEIGHT	External diameter	mm	670
	Total height	mm	1.911
	Empty weight	kg	84

## Dimensions and hydraulic connections

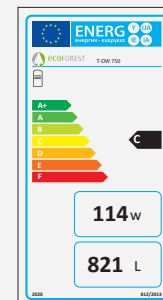


1. DHW outlet- 1- 1/4 " H
2. Drain - 1 " H
3. Free connection - 1/2 " H
4. Inlet for electrical heater - 2 " H
5. Primary circuit inlet - 1 " H
6. DHW recirculation - 1 " H
7. Temperature probe inlet - 1/2 "
8. Primary circuit outlet - 1 " H
9. DCW inlet - 1-1/4 " M
10. Inlet for temperature probe / thermometer - 1/2 "

# T-DW 750

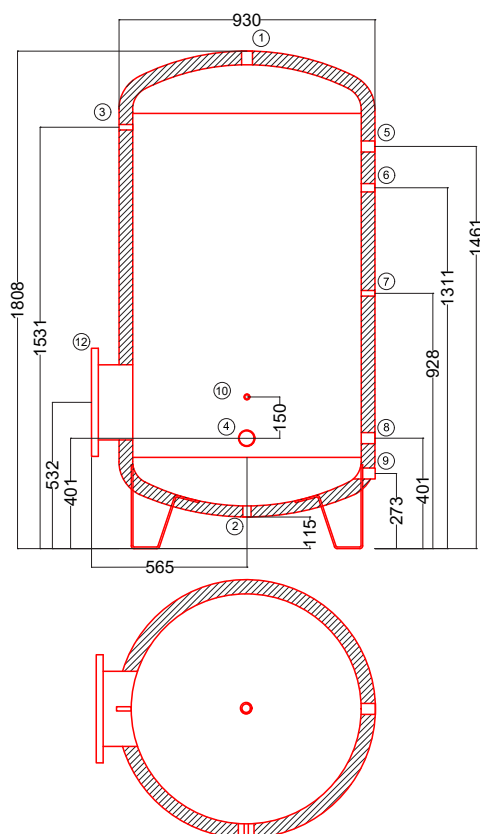
Ref.:  
855

- Corrugated single coil DHW tank specifically designed to be combined with Ecoforest heat pumps.
- AISI 316 stainless steel made.
- Thermal insulation with rigid foam of injected HCFC free polyurethane and exterior finish with semi-rigid PVC
- Storage tank compatible with DHW applications.
- Including a temperature probe inlet and an electrical heater inlet.



SPECIFICATIONS T-DW 750		UNITS	T-DW 750
APPLICATION	Place of installation	-	Indoor
	Mounting	-	On floor
	DHW	-	✓
FEATURES	Volume	l	750
	Tank material	-	AISI 316 stainless steel
	Insulation material	-	Rigid foam of injected HCFC free polyurethane
	Insulation thickness	mm	50
	Exterior finish	-	Semi-rigid PVC
	Coil heat transfer surface	m <sup>2</sup>	7,20
	Maximum coil working pressure	bar	6,0
	Maximum DHW working pressure	bar	8,0
	Energy label	-	C
DIMENSIONS/WEIGHT	External diameter	mm	930
	Total height	mm	1.808
	Empty weight	kg	193

## Dimensions and hydraulic connections

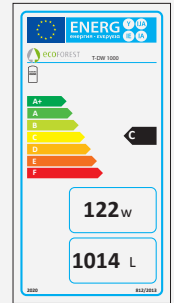


1. DHW outlet - 1-1/4" H
2. Drain - 1-1/4" H
3. Free connection - 1/2" H
4. Inlet for electrical heater - 2" H
5. Primary circuit inlet - 1-1/4" H
6. DHW recirculation - 1" H
7. Temperature probe inlet - 1/2" H
8. Primary circuit outlet - 1-1/4" H
9. DCW inlet - 1-1/4" M
10. Inlet for temperature probe / thermometer - 1/2"
12. Manhole DN-250

# T-DW 1000

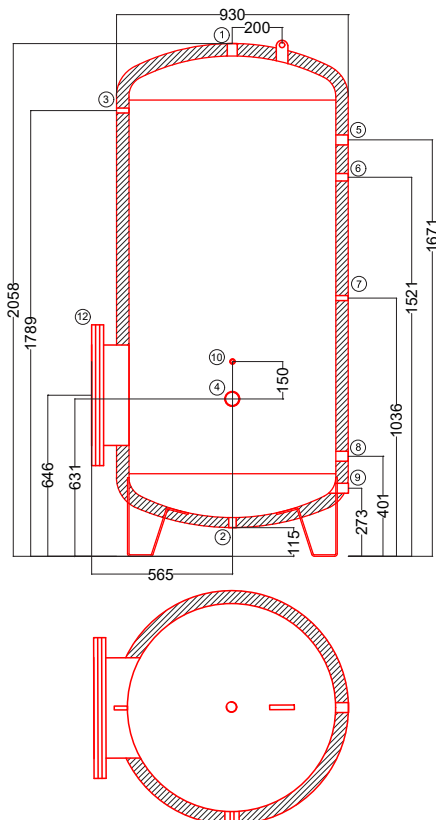
Ref.:  
**856**

- Corrugated single coil DHW tank specifically designed to be combined with Ecoforest heat pumps.
- AISI 316 stainless steel made.
- Thermal insulation with rigid foam of injected HCFC free polyurethane and exterior finish with semi-rigid PVC
- Storage tank compatible with DHW applications.
- Including a temperature probe inlet and an electrical heater inlet.



SPECIFICATIONS T-DW 1000		UNITS	T-DW 1000
APPLICATION	Place of installation	-	Indoor
	Mounting	-	On floor
	DHW	-	✓
FEATURES	Volume	l	1000
	Tank material	-	AISI 316 stainless steel
	Insulation material	-	Rigid foam of injected HCFC free polyurethane
	Insulation thickness	mm	50
	Exterior finish	-	Semi-rigid PVC
	Coil heat transfer surface	m <sup>2</sup>	8,30
	Maximum coil working pressure	bar	6,0
	Maximum DHW working pressure	bar	8,0
	Energy label	-	C
DIMENSIONS/WEIGHT	External diameter	mm	930
	Total height	mm	2.058
	Empty weight	kg	236

## Dimensions and hydraulic connections



1. DHW outlet- 1-1/4 " H
2. Drain - 1-1/4" H
3. Free connection - 1/2 " H
4. Inlet for electrical heater - 2 " H
5. Primary circuit inlet - 1-1/4 " H
6. DHW recirculation - 1 " H
7. Temperature probe inlet - 1/2 " H
8. Primary circuit outlet - 1-1/4 " H
9. DCW inlet - 1-1/4 " M
10. Inlet for temperature probe / thermometer - 1/2 "
12. Manhole DN-400



# T-DW 2000

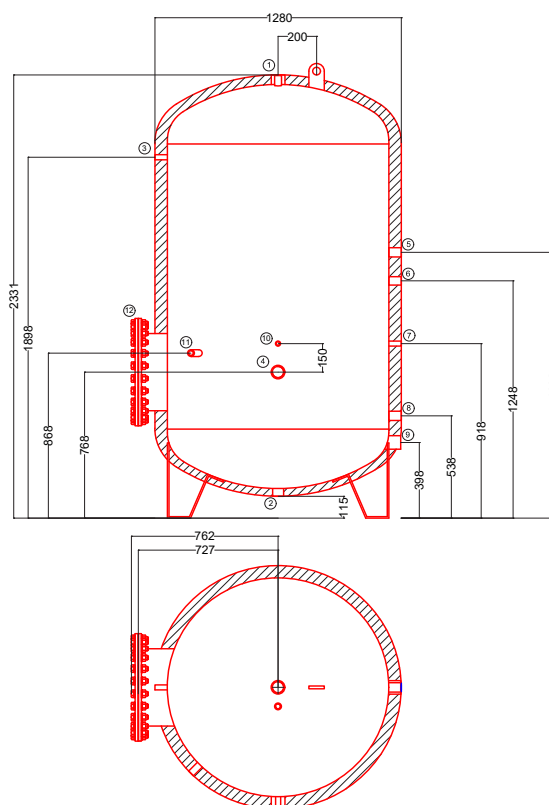
Ref.:  
865

- Corrugated single coil DHW tank specifically designed to be combined with Ecoforest heat pumps.
- AISI 316 stainless steel made.
- Thermal insulation with rigid foam of injected HCFC free polyurethane and exterior finish with semi-rigid PVC
- Storage tank compatible with DHW applications.
- Including a temperature probe inlet and an electrical heater inlet.

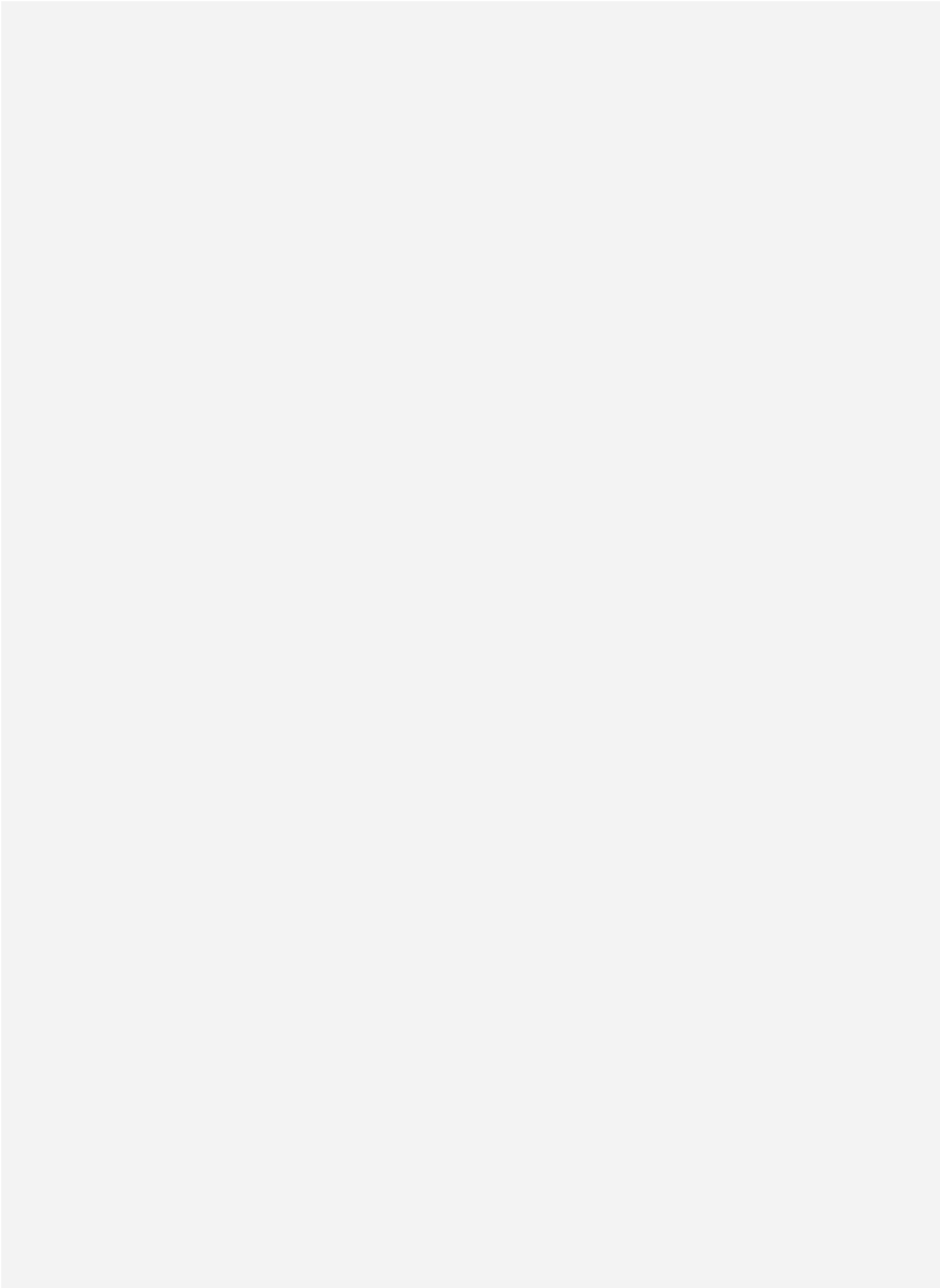


SPECIFICATIONS T-DW 2000		UNITS	T-DW 2000
APPLICATION	Place of installation	-	Indoor
	Mounting	-	On floor
	DHW	-	✓
FEATURES	Volume	l	2000
	Tank material	-	AISI 316 stainless steel
	Insulation material	-	Rigid foam of injected HCFC free polyurethane
	Insulation thickness	mm	65
	Exterior finish	-	Semi-rigid PVC
	Coil heat transfer surface	m <sup>2</sup>	8,3
	Maximum coil working pressure	bar	6,0
	Maximum DHW working pressure	bar	8,0
	Energy label	-	-
DIMENSIONS/WEIGHT	External diameter	mm	1.280
	Total height	mm	2.331
	Empty weight	kg	387

## Dimensions and hydraulic connections



1. DHW outlet- 2 " H
2. Drain - 1-1/4 " H
3. Free connection - 1/2 " H
4. Inlet for electrical heater - 1-1/4 " H
5. Primary circuit inlet - 2 " H
6. DHW recirculation - 1 " H
7. Temperature probe inlet - 1/2 " H
8. Primary circuit outlet - 2 " H
9. DCW inlet - 2 " M
10. Inlet for temperature probe / thermometer - 1/2 "
12. Manhole DN-400



# T-DS

## Double coil DHW tanks



### Available volumes

T-DS 200	
T-DS 300	
T-DS 500	
T-DS 750	
T-DS 1000	
T-DS 2000	

### Services



DHW

### Application

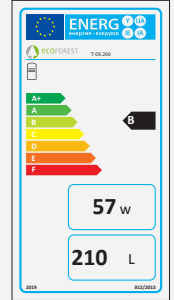


DHW storage tank  
Double coil

# T-DS 200

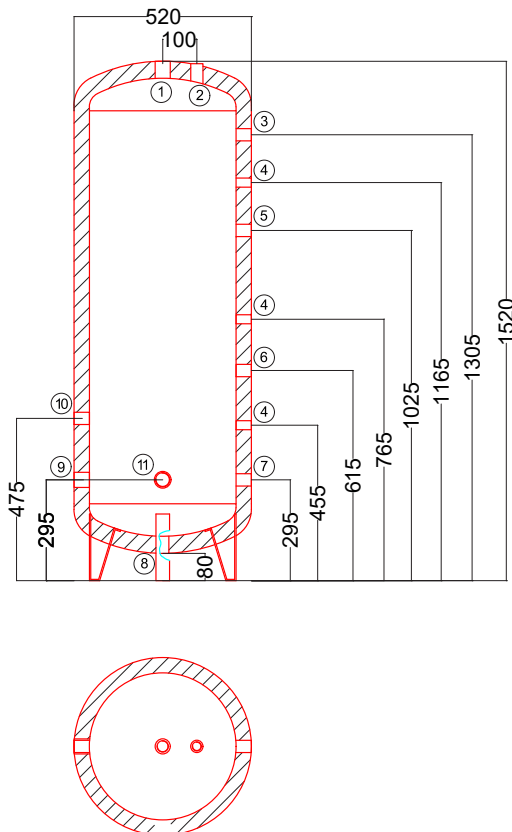
Ref.:  
**870**

- Corrugated double coil DHW tank specifically designed to be combined with Ecoforest heat pumps.
- AISI 316 stainless steel made.
- Thermal insulation with rigid foam of injected HCFC free polyurethane and exterior finish with semi-rigid PVC
- Storage tank compatible with DHW applications.
- Including a temperature probe inlet and an electrical heater inlet.



SPECIFICATIONS T-DS 200		UNITS	T-DS 200
APPLICATION	Place of installation	-	Indoor
	Mounting	-	On floor
	DHW	-	✓
FEATURES	Volume	l	200
	Tank material	-	AISI 316 stainless steel
	Insulation material	-	Rigid foam of injected HCFC free polyurethane
	Insulation thickness	mm	45
	Exterior finish	-	Semi-rigid PVC
	Lower / upper coil heat transfer surface	m <sup>2</sup>	1,15 / 0,98
	Maximum coil working pressure	bar	6,0
	Maximum DHW working pressure	bar	8,0
	Energy label	-	B
DIMENSIONS/WEIGHT	External diameter	mm	520
	Total height	mm	1.520
	Empty weight	kg	46

## Dimensions and hydraulic connections

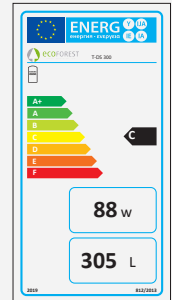


1. DHW outlet- 1 " H
2. Connection for cathodic protection - 3/4 " H
3. Upper coil primary circuit inlet - 3/4 " H
4. Inlet for temperature probe / thermometer - 1/2 "
5. Upper coil primary circuit outlet - 3/4 " H
6. Lower coil primary circuit inlet - 3/4 " H
7. Lower coil primary circuit outlet - 3/4 " H
8. Drain - 3/4 " H
9. DCW inlet - 1 " M
10. DHW recirculation - 3/4 " H
11. Inlet for electrical heater - 1 1/4 "

# T-DS 300

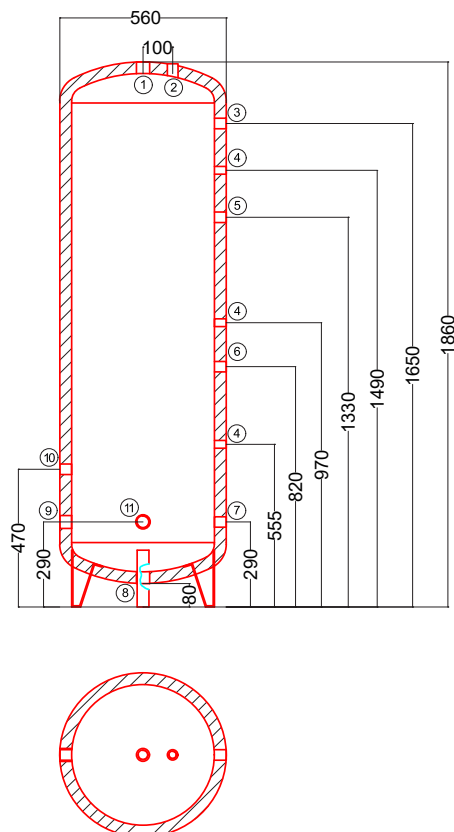
Ref.:  
**871**

- Corrugated double coil DHW tank specifically designed to be combined with Ecoforest heat pumps.
- AISI 316 stainless steel made.
- Thermal insulation with rigid foam of injected HCFC free polyurethane and exterior finish with semi-rigid PVC
- Storage tank compatible with DHW applications.
- Including a temperature probe inlet and an electrical heater inlet.



SPECIFICATIONS T-DS 300		UNITS	T-DS 300
APPLICATION	Place of installation	-	Indoor
	Mounting	-	On floor
	DHW	-	✓
FEATURES	Volume	l	300
	Tank material	-	AISI 316 stainless steel
	Insulation material	-	Rigid foam of injected HCFC free polyurethane
	Insulation thickness	mm	40
	Exterior finish	-	Semi-rigid PVC
	Lower / upper coil heat transfer surface	m <sup>2</sup>	1,15 / 1,12
	Maximum coil working pressure	bar	6,0
	Maximum DHW working pressure	bar	8,0
	Energy label	-	C
DIMENSIONS/WEIGHT	External diameter	mm	560
	Total height	mm	1.860
	Empty weight	kg	65

## Dimensions and hydraulic connections

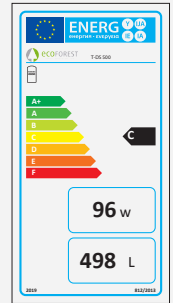


1. DHW outlet- 1 " H
2. Connection for cathodic protection - 3/4 " H
3. Upper coil primary circuit inlet - 3/4 " H
4. Inlet for temperature probe / thermometer - 1/2 "
5. Upper coil primary circuit outlet - 3/4 " H
6. Lower coil primary circuit inlet - 3/4 " H
7. Lower coil primary circuit outlet - 3/4 " H
8. Drain - 1 " H
9. DCW inlet - 1 " M
10. DHW recirculation - 3/4 " H
11. Inlet for electrical heater - 1 1/4 "

# T-DS 500

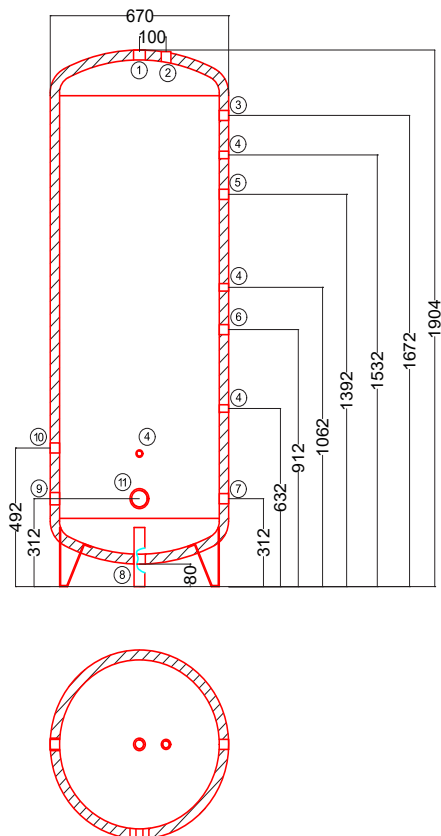
Ref.:  
**872**

- Corrugated double coil DHW tank specifically designed to be combined with Ecoforest heat pumps.
- AISI 316 stainless steel made.
- Thermal insulation with rigid foam of injected HCFC free polyurethane and exterior finish with semi-rigid PVC
- Storage tank compatible with DHW applications.
- Including a temperature probe inlet and an electrical heater inlet.



SPECIFICATIONS T-DS 500		UNITS	T-DS 500
APPLICATION	Place of installation	-	Indoor
	Mounting	-	On floor
	DHW	-	✓
FEATURES	Volume	l	500
	Tank material	-	AISI 316 stainless steel
	Insulation material	-	Rigid foam of injected HCFC free polyurethane
	Insulation thickness	mm	35
	Exterior finish	-	Semi-rigid PVC
	Lower / upper coil heat transfer surface	m <sup>2</sup>	2,11 / 1,17
	Maximum coil working pressure	bar	6,0
	Maximum DHW working pressure	bar	8,0
	Energy label	-	C
DIMENSIONS/WEIGHT	External diameter	mm	670
	Total height	mm	1.904
	Empty weight	kg	81

## Dimensions and hydraulic connections

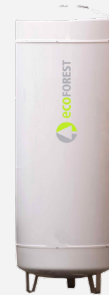


1. DHW outlet- 1 " H
2. Connection for cathodic protection - 3/4 " H
3. Upper coil primary circuit inlet - 3/4 " H
4. Inlet for temperature probe / thermometer - 1/2 "
5. Upper coil primary circuit outlet - 3/4 " H
6. Lower coil primary circuit inlet - 3/4 " H
7. Lower coil primary circuit outlet - 3/4 " H
8. Drain - 1 " H
9. DCW inlet - 1 " M
10. DHW recirculation - 3/4 " H
11. Inlet for electrical heater - 2 "

# T-DS 750

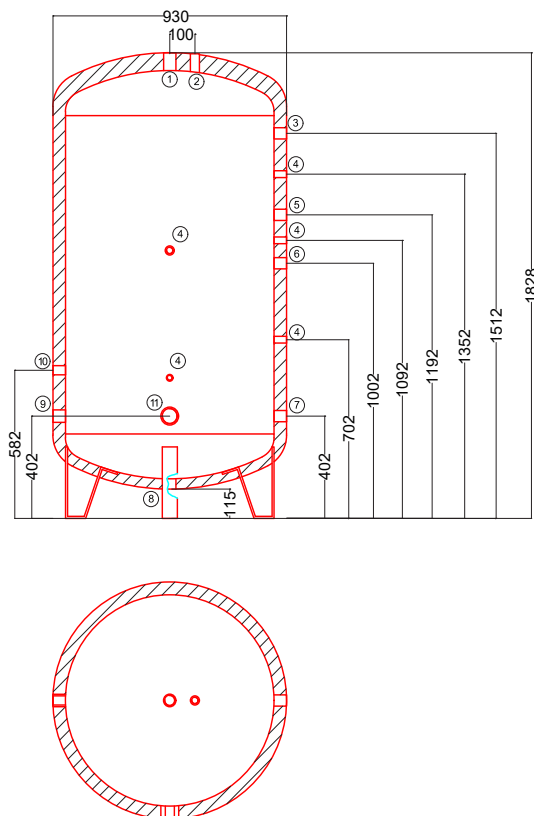
Ref.:  
**873**

- Corrugated double coil DHW tank specifically designed to be combined with Ecoforest heat pumps.
- AISI 316 stainless steel made.
- Thermal insulation with rigid foam of injected HCFC free polyurethane and exterior finish with semi-rigid PVC
- Storage tank compatible with DHW applications.
- Including a temperature probe inlet and an electrical heater inlet.



SPECIFICATIONS T-DS 750		UNITS	T-DS 750
APPLICATION	Place of installation	-	Indoor
	Mounting	-	On floor
	DHW	-	✓
FEATURES	Volume	l	750
	Tank material	-	AISI 316 stainless steel
	Insulation material	-	Rigid foam of injected HCFC free polyurethane
	Insulation thickness	mm	50
	Exterior finish	-	Semi-rigid PVC
	Lower / upper coil heat transfer surface	m <sup>2</sup>	2,73 / 2,05
	Maximum coil working pressure	bar	6,0
	Maximum DHW working pressure	bar	8,0
	Energy label	-	-
DIMENSIONS/WEIGHT	External diameter	mm	930
	Total height	mm	1.828
	Empty weight	kg	134

## Dimensions and hydraulic connections



1. DHW outlet- 1 1/4 " H
2. Connection for cathodic protection - 3/4 " H
3. Upper coil primary circuit inlet - 1 " H
4. Inlet for temperature probe / thermometer - 1/2 "
5. Upper coil primary circuit outlet - 1 " H
6. Lower coil primary circuit inlet - 1 " H
7. Lower coil primary circuit outlet - 1 " H
8. Drain - 1 1/4 " H
9. DCW inlet - 1 1/4 " M
10. DHW recirculation - 3/4 " H
11. Inlet for electrical heater - 2 "

# T-DS 1000

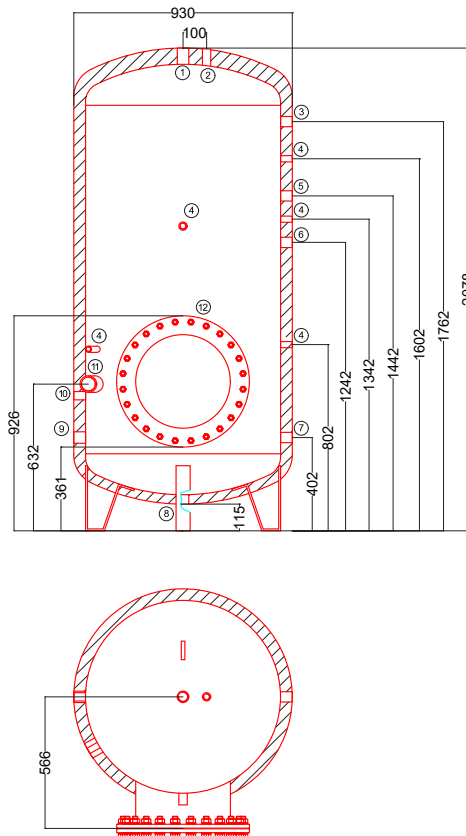
Ref.:  
**874**

- Corrugated double coil DHW tank specifically designed to be combined with Ecoforest heat pumps.
- AISI 316 stainless steel made.
- Thermal insulation with rigid foam of injected HCFC free polyurethane and exterior finish with semi-rigid PVC
- Storage tank compatible with DHW applications.
- Including a temperature probe inlet and an electrical heater inlet.



SPECIFICATIONS T-DS 1000		UNITS	T-DS 1000
APPLICATION	Place of installation	-	Indoor
	Mounting	-	On floor
	DHW	-	✓
FEATURES	Volume	l	1.000
	Tank material	-	AISI 316 stainless steel
	Insulation material	-	Rigid foam of injected HCFC free polyurethane
	Insulation thickness	mm	50
	Exterior finish	-	Semi-rigid PVC
	Lower / upper coil heat transfer surface	m <sup>2</sup>	3,04 / 2,05
	Maximum coil working pressure	bar	6,0
	Maximum DHW working pressure	bar	8,0
	Energy label	-	-
DIMENSIONS/WEIGHT	External diameter	mm	930
	Total height	mm	2.078
	Empty weight	kg	180

## Dimensions and hydraulic connections



1. DHW outlet- 1 1/4 " H
2. Connection for cathodic protection - 3/4 " H
3. Upper coil primary circuit inlet - 1 " H
4. Inlet for temperature probe / thermometer - 1/2 "
5. Upper coil primary circuit outlet - 1 " H
6. Lower coil primary circuit inlet - 1 " H
7. Lower coil primary circuit outlet - 1 " H
8. Drain - 1 1/4 " H
9. DCW inlet - 1 1/4 " M
10. DHW recirculation - 3/4 " H
11. Inlet for electrical heater - 2 "
12. Manhole DN-400



# T-DS 2000

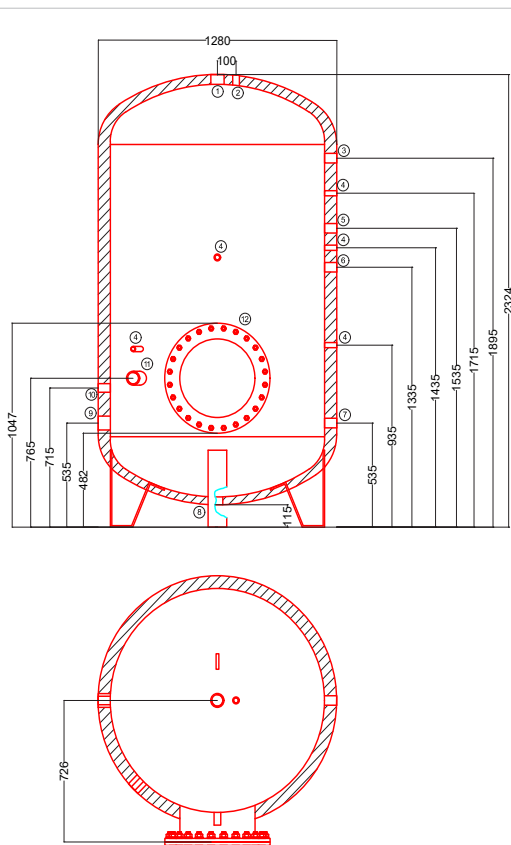
Ref.:  
**876**

- Corrugated double coil DHW tank specifically designed to be combined with Ecoforest heat pumps.
- AISI 316 stainless steel made.
- Thermal insulation with rigid foam of injected HCFC free polyurethane and exterior finish with semi-rigid PVC
- Storage tank compatible with DHW applications.
- Including a temperature probe inlet and an electrical heater inlet.



SPECIFICATIONS T-DS 2000		UNITS	T-DS 2000
APPLICATION	Place of installation	-	Indoor
	Mounting	-	On floor
	DHW	-	✓
FEATURES	Volume	l	2.000
	Tank material	-	AISI 316 stainless steel
	Insulation material	-	Rigid foam of injected HCFC free polyurethane
	Insulation thickness	mm	65
	Exterior finish	-	Semi-rigid PVC
	Lower / upper coil heat transfer surface	m <sup>2</sup>	4,35 / 2,06
	Maximum coil working pressure	bar	6,0
	Maximum DHW working pressure	bar	8,0
	Energy label	-	-
DIMENSIONS/WEIGHT	External diameter	mm	1.280
	Total height	mm	2.324
	Empty weight	kg	330

## Dimensions and hydraulic connections



1. DHW outlet - 2 " H
2. Connection for cathodic protection - 3/4 " H
3. Upper coil primary circuit inlet - 1 1/4 " H
4. Inlet for temperature probe / thermometer - 1/2 "
5. Upper coil primary circuit outlet - 1 1/4 " H
6. Lower coil primary circuit inlet - 1 1/4 " H
7. Lower coil primary circuit outlet - 1 1/4 " H
8. Drain- 1 1/2 " H
9. DCW inlet - 2 " M
10. DHW recirculation - 1 " H
11. Inlet for electrical heater- 2 "
12. Manhole DN-400





**ECOFOREST GEOTERMIA, S.L.**

Parque Empresarial Porto do Molle · Rúa das Pontes 25  
36350 Nigrán - Pontevedra (Spain)

+34 986 262 184

[www.ecoforest.com](http://www.ecoforest.com)



Ecoforest shall not be held responsible for any error contained in this these technical data sheets and reserves the right to make any modifications it deems necessary for both technical and commercial reasons at any time and without prior notification. The availability of any equipment described in this document shall always be confirmed by Ecoforest. The inclusion of the equipment in this catalogue does not imply an immediate availability.

